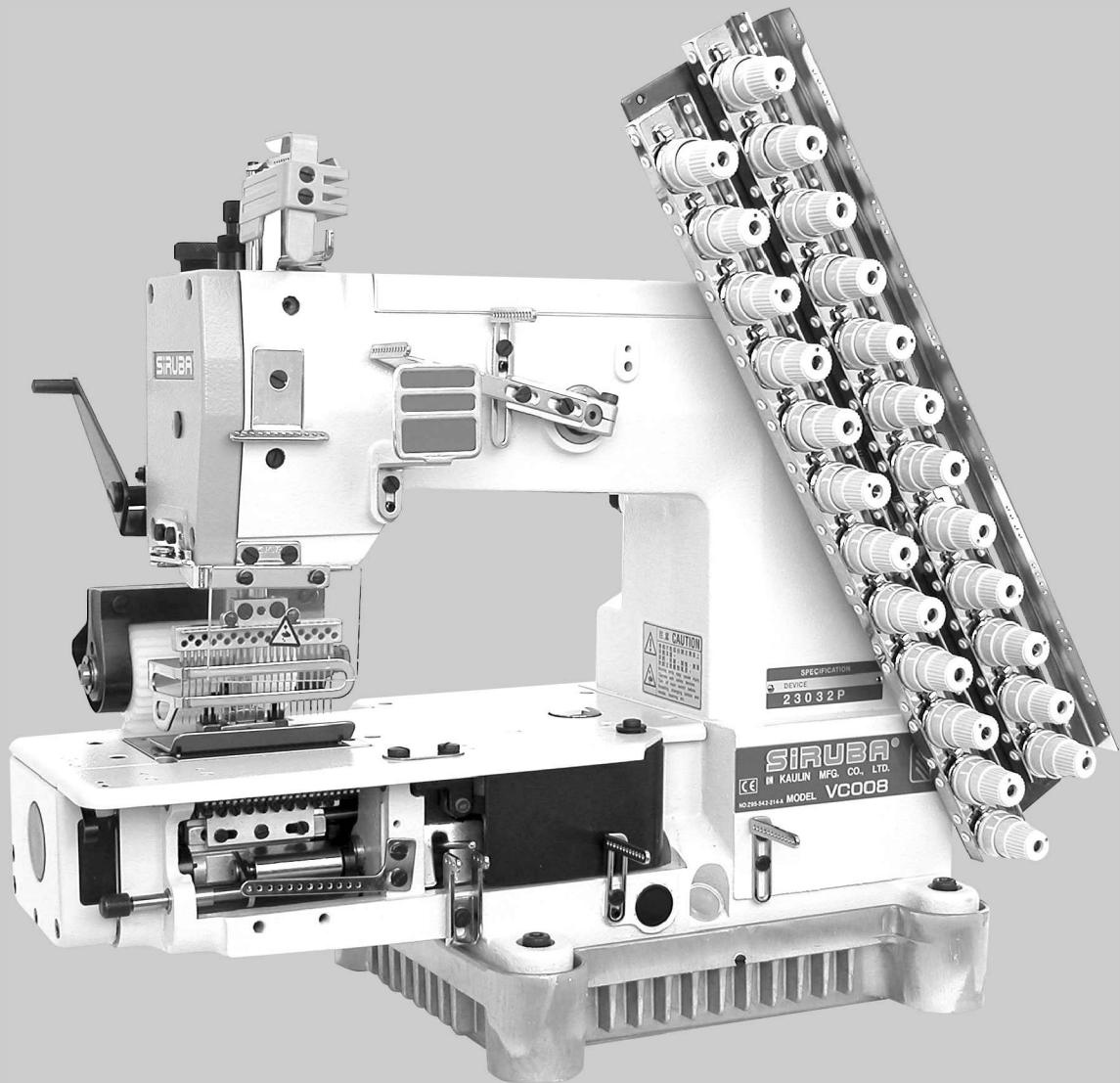


SIRUBA®

銀箭牌工業用縫紉機
INDUSTRIAL SEWING MACHINE

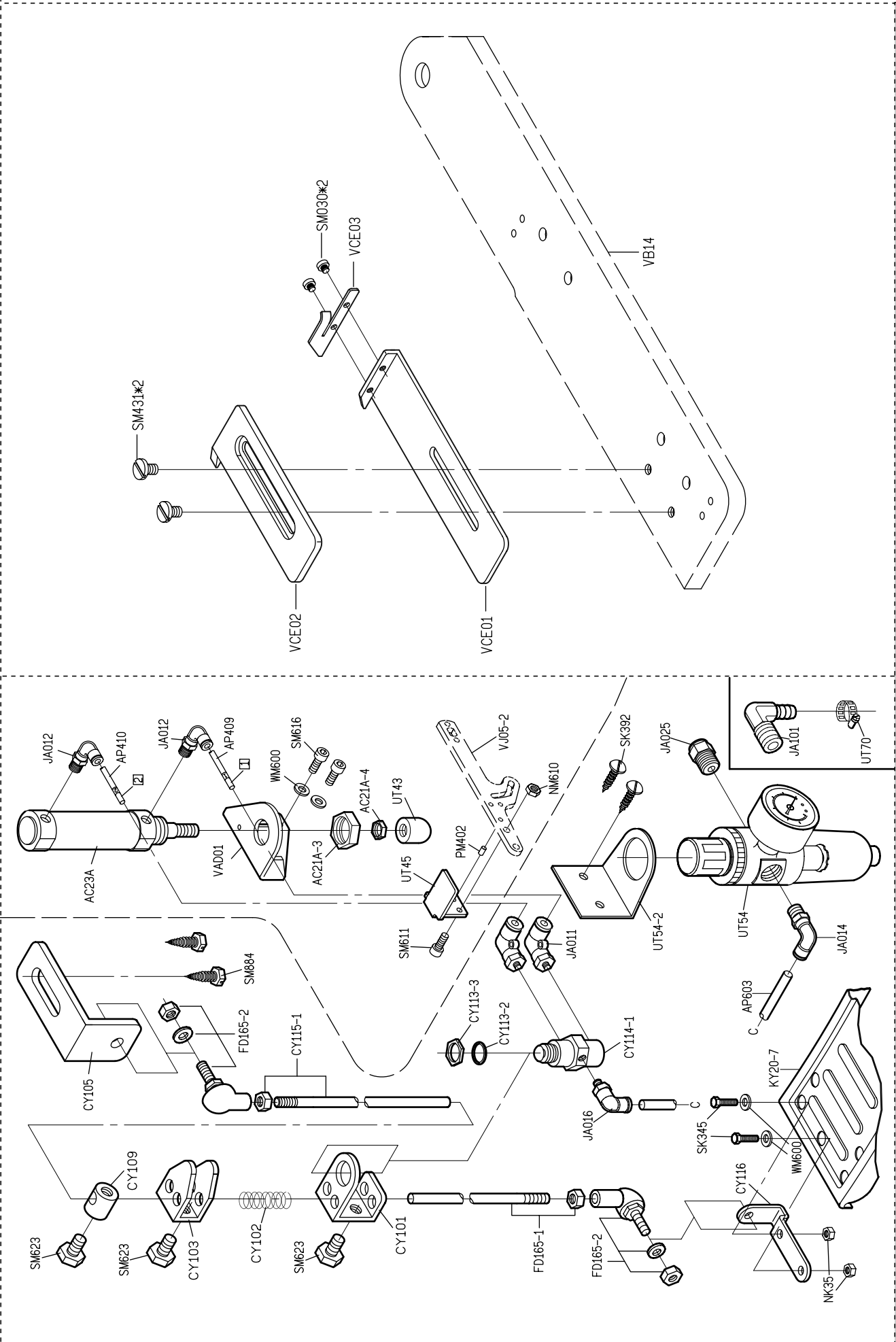
VC008 ATTACHMENT

零件圖 PARTS LIST



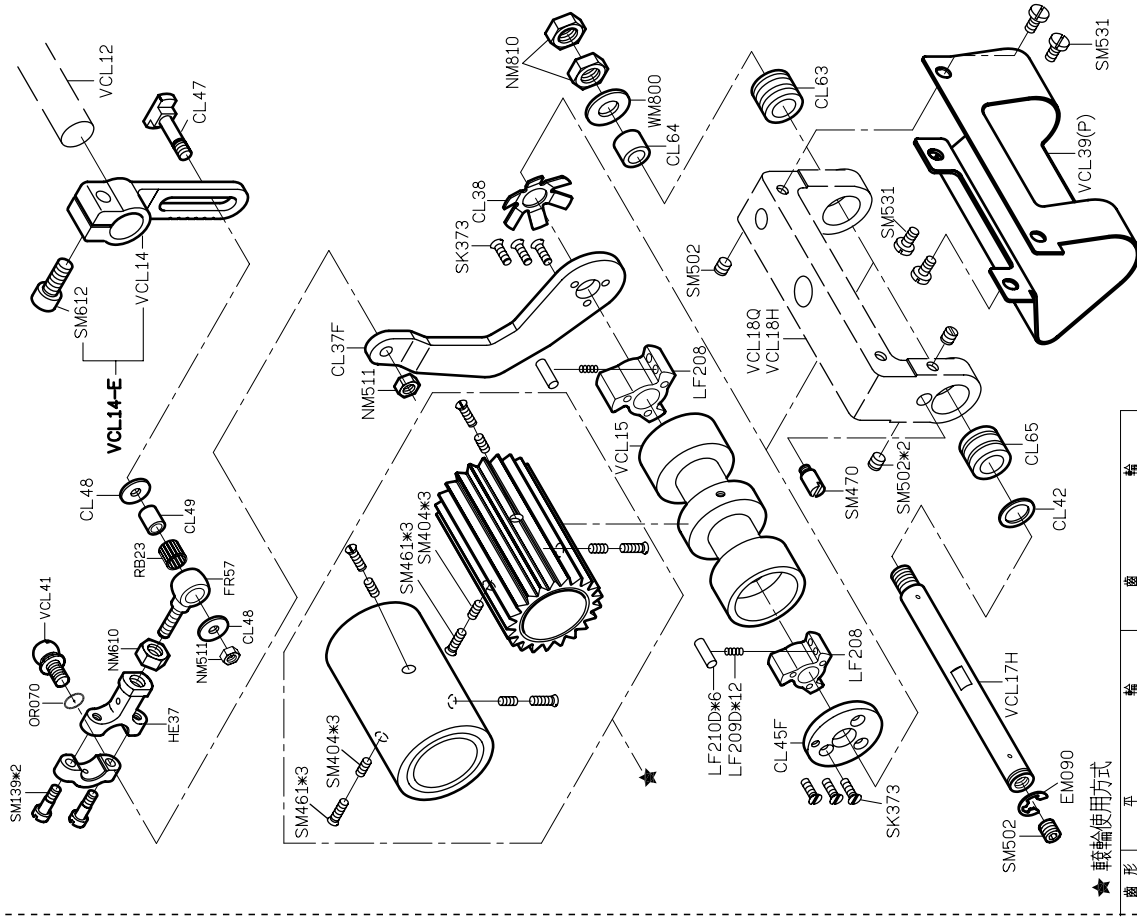
CE

 高林股份有限公司
KAULIN MFG. CO., LTD.



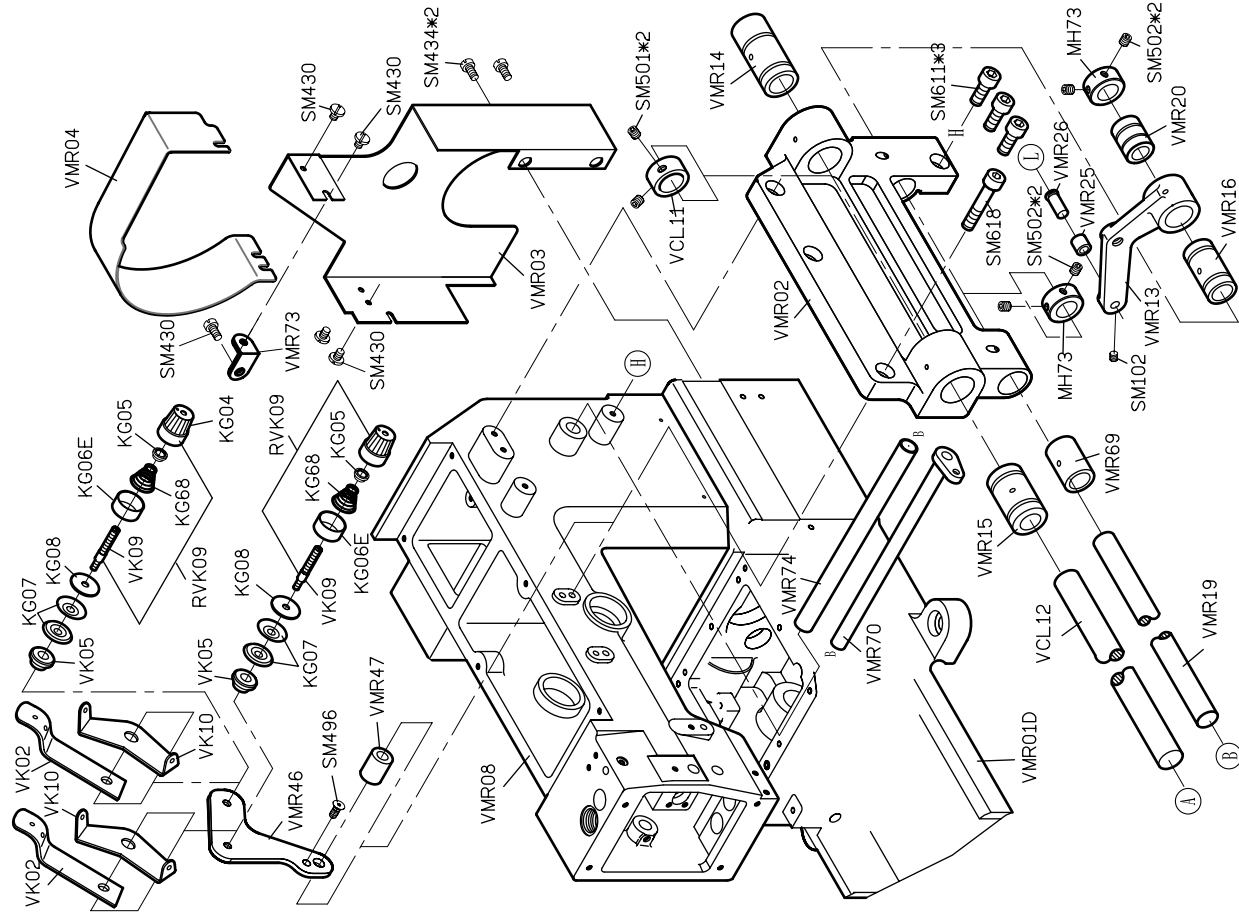
PARTS LIST FOR VAD GROUP

PARTS LIST FOR VCE GROUP

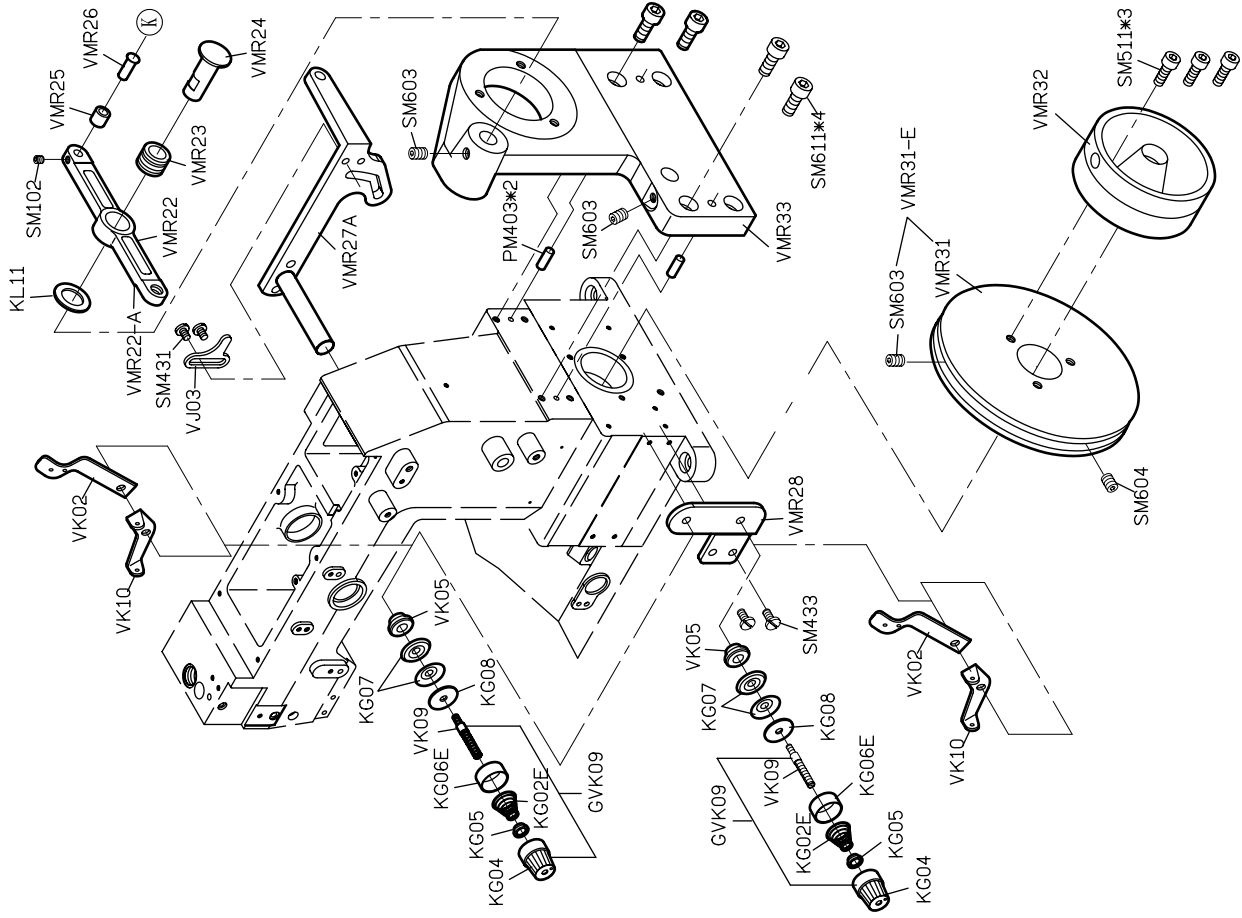


★ 輾輪使用方式

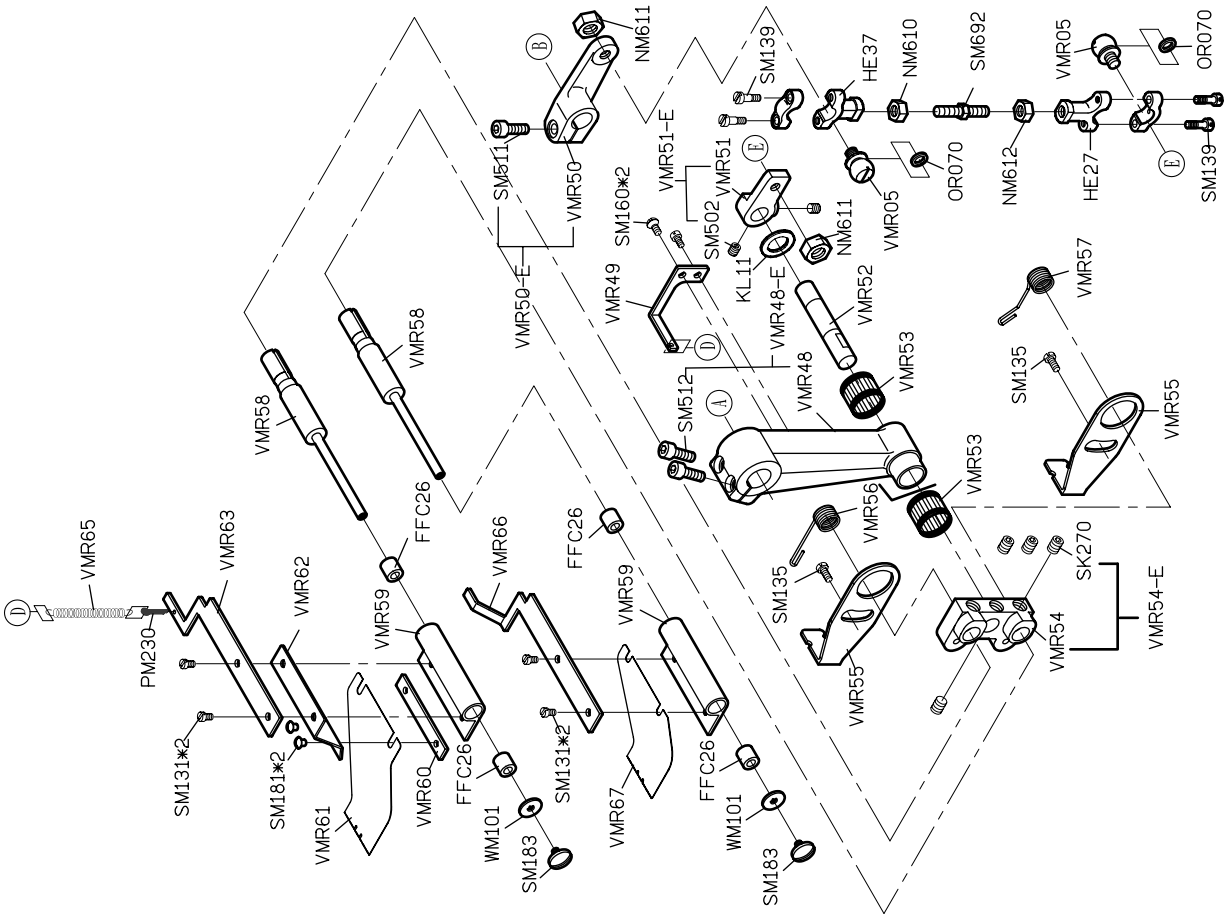
齒形	PU	黑色	綠色	藍色	鐵	樹脂	輪	輪
材質	PU							
長度	短輪	長輪	短輪	長輪	短輪	長輪	短輪	長輪
上滾輪	VCL16	VCL16P	VCL16Q	VCL16H	VCL16F	VCL16G	VCL16B	VCL16C
下滾輪	VCL28	VCL28R	VCL33	VCL33P	VCL33N	VCL33R	VCL33B	VCL33C



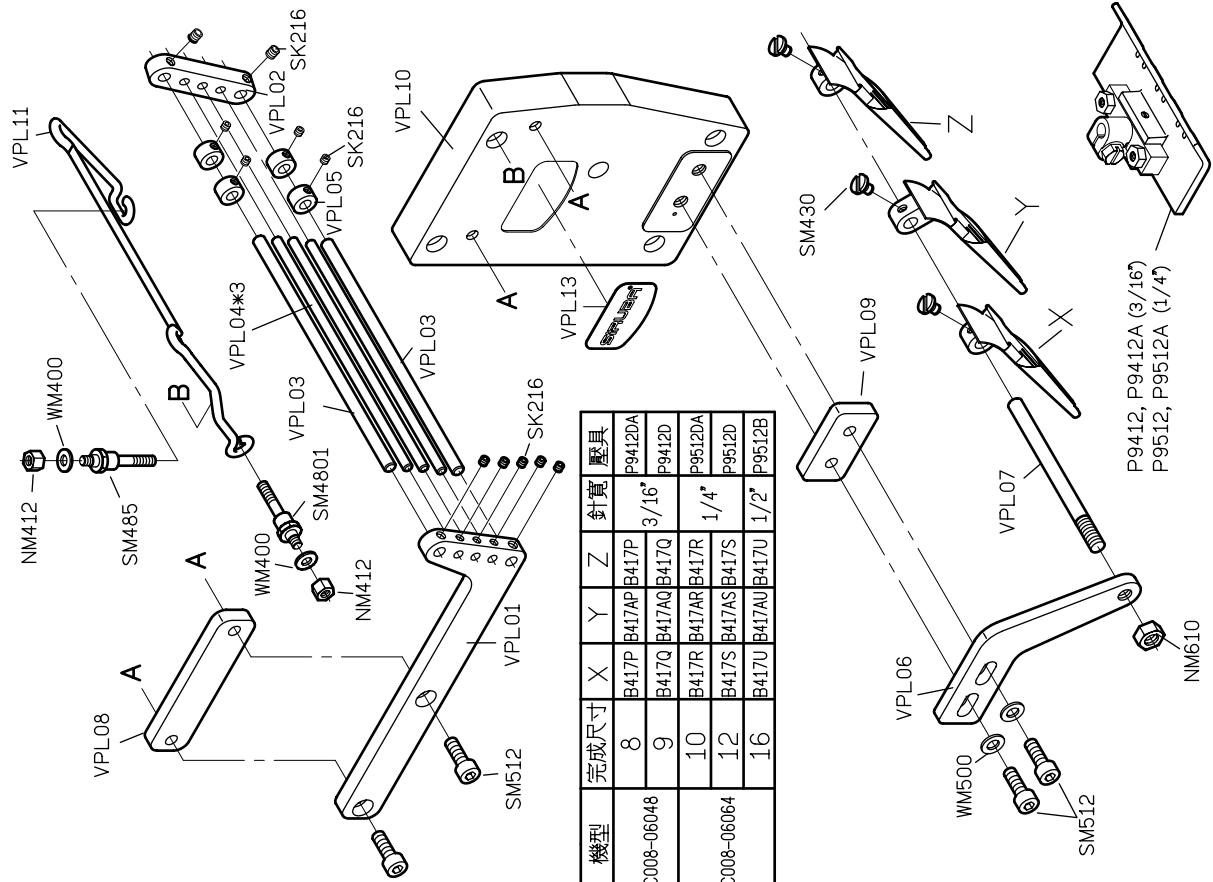
PARTS LIST FOR VMRGROUP



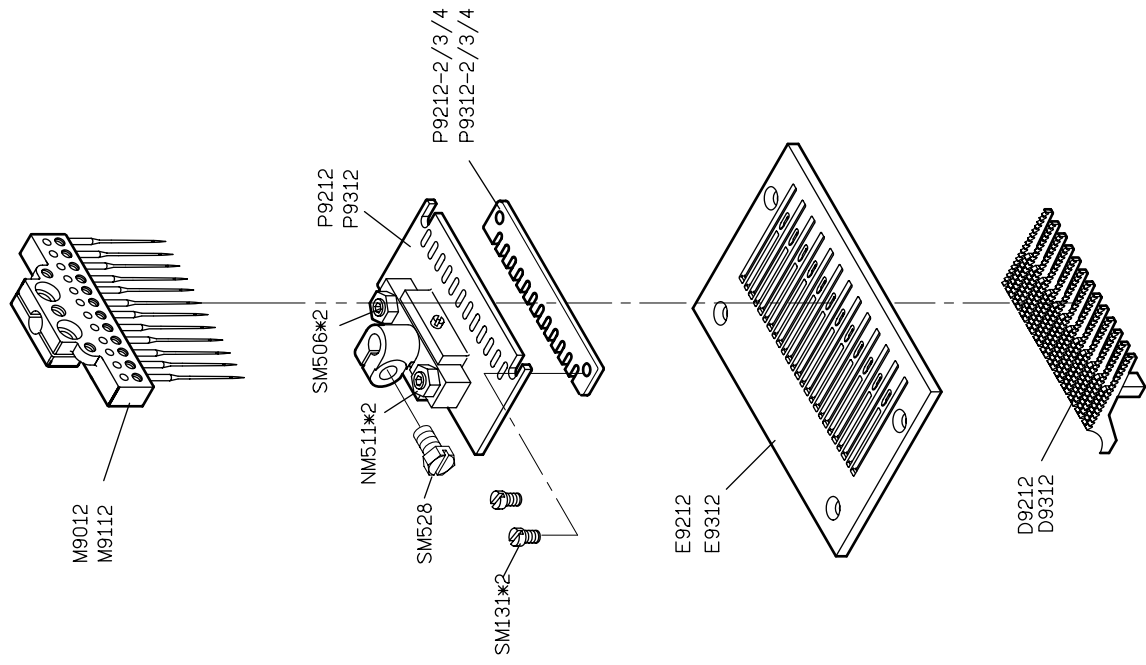
PARTS LIST FOR VMR GROUP

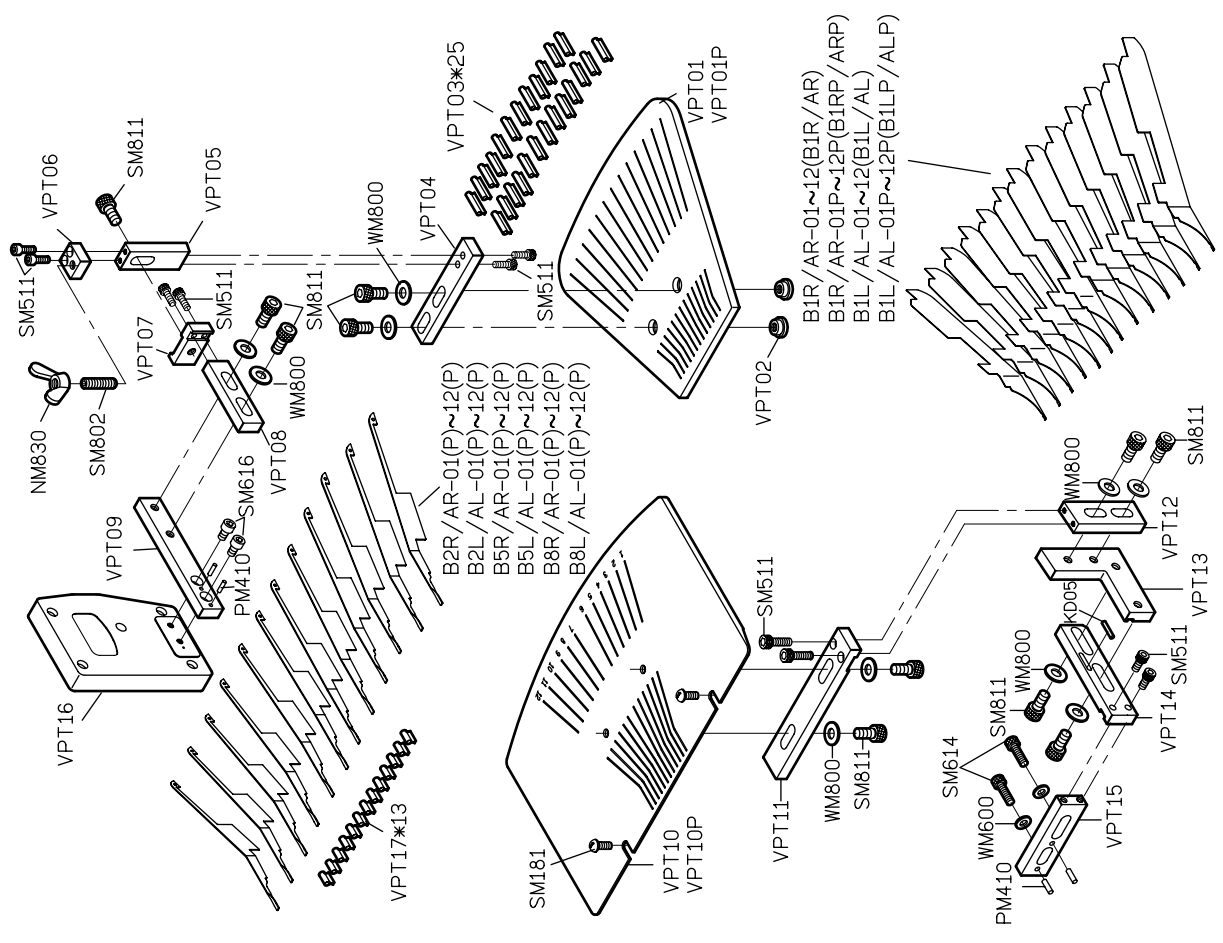
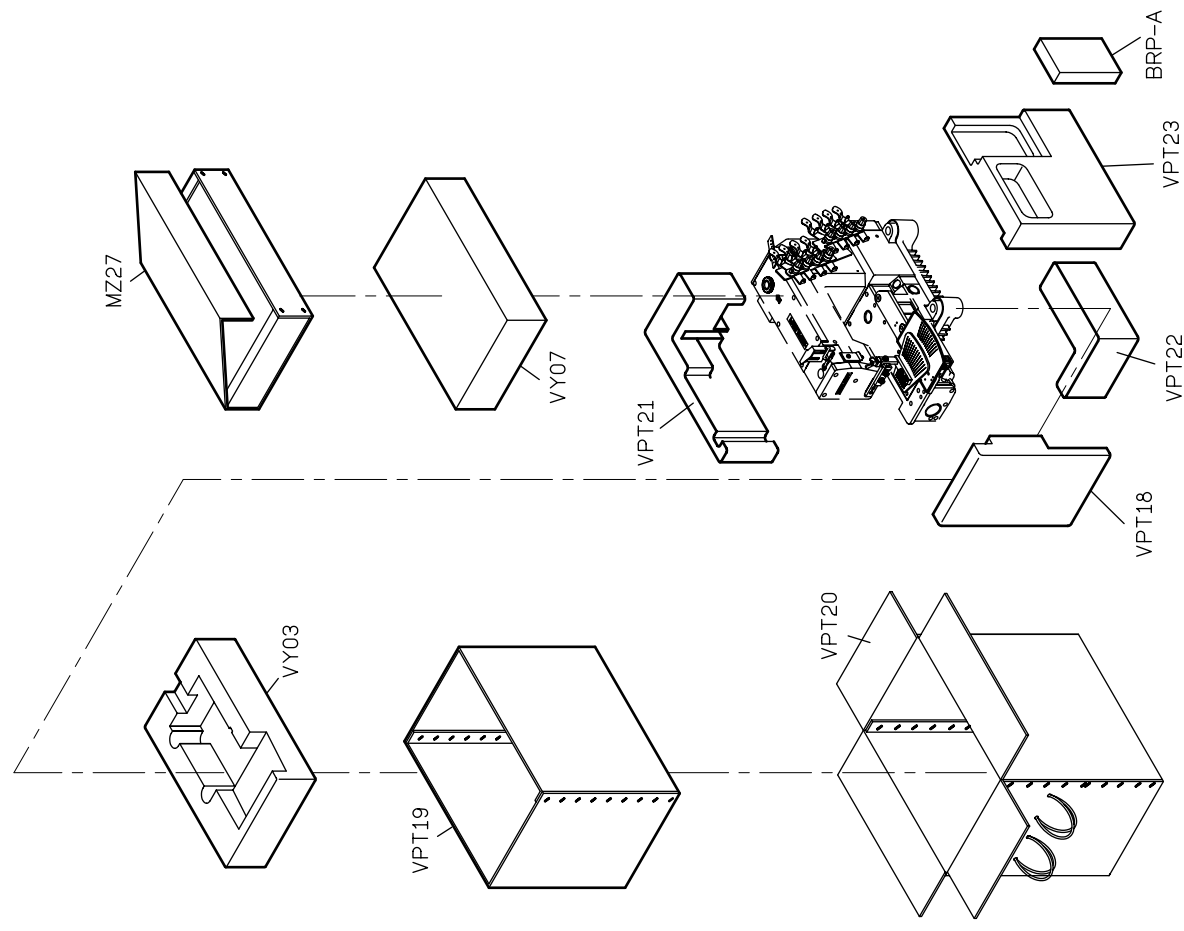


PARTS LIST FOR VPL GROUP



PARTS LIST FOR VPQ GROUP

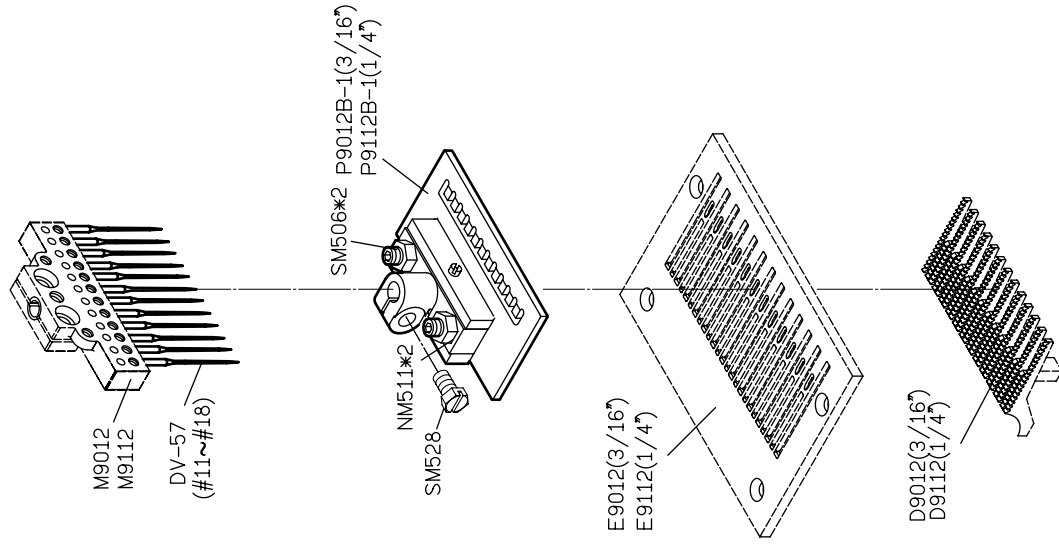
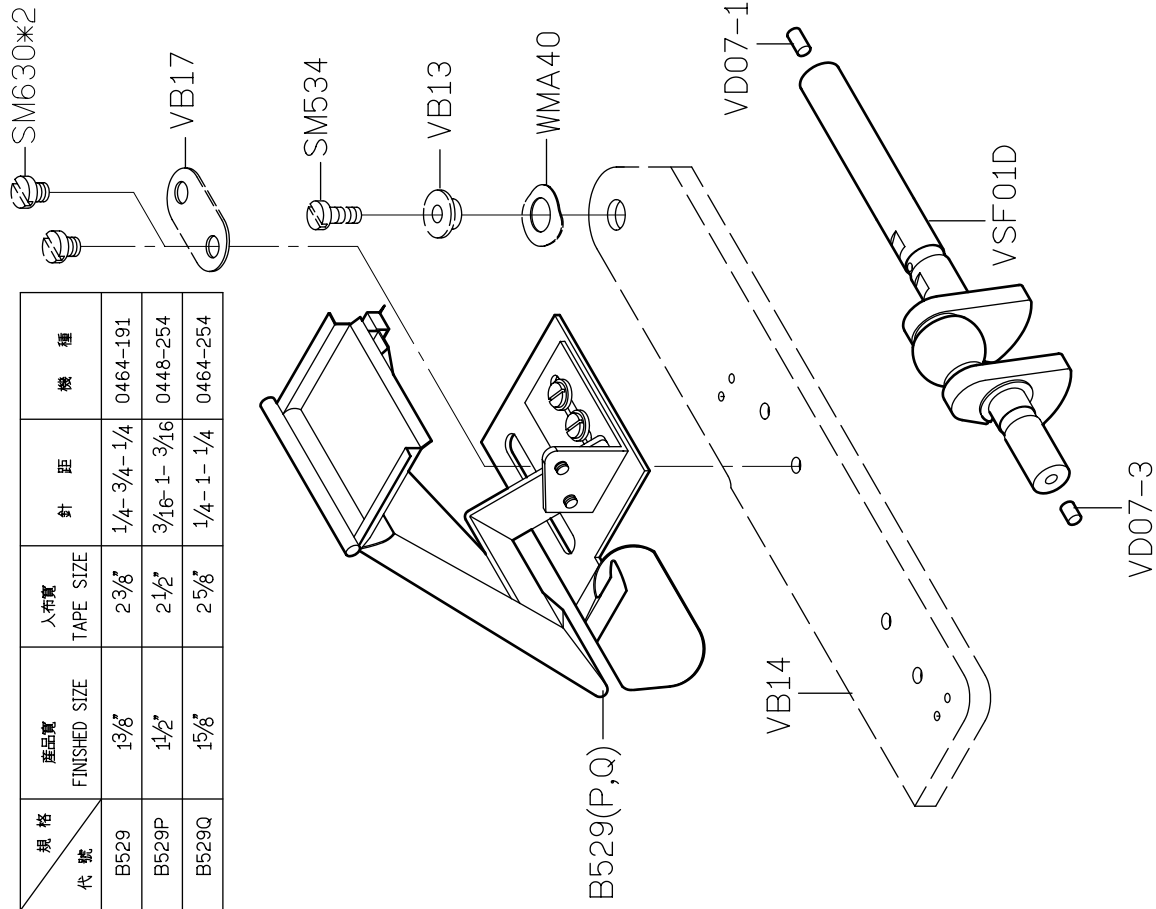




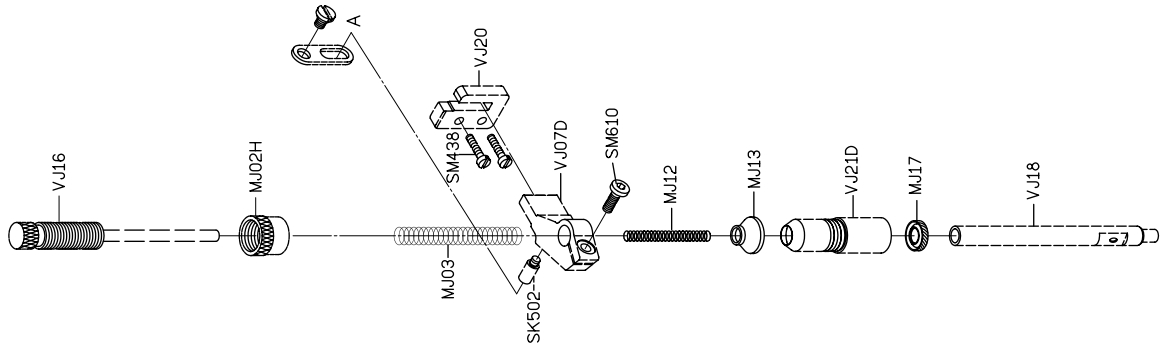
PARTS LIST FOR VPT GROUP

PARTS LIST FOR VPT GROUP

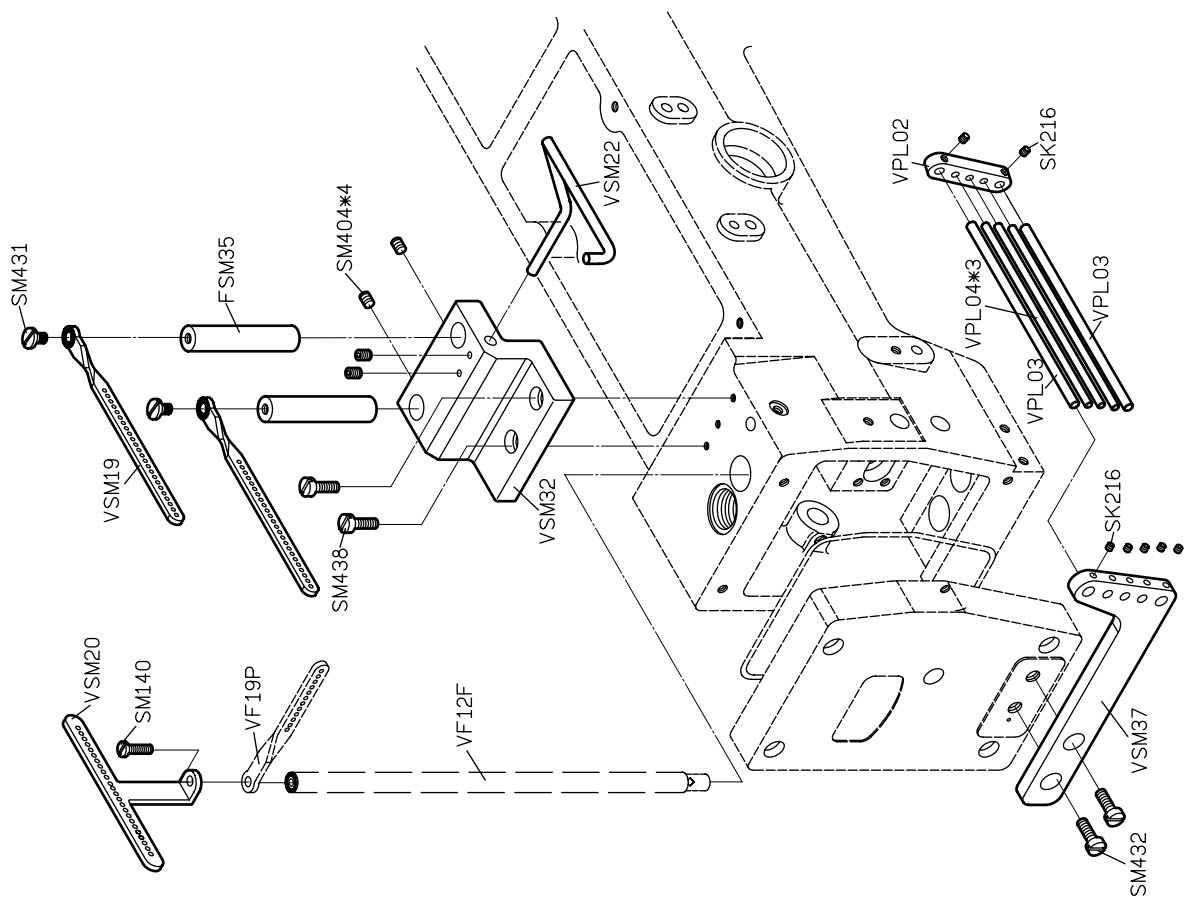
規格 代號	產品寬 FINISHED SIZE	入布寬 TAPE SIZE	針距	機種
B529	1 $\frac{3}{8}$ "	2 $\frac{3}{8}$ "	1/4- $\frac{3}{4}$ -1/4	0464-191
B529P	1 $\frac{1}{2}$ "	2 $\frac{1}{2}$ "	$\frac{3}{16}$ -1- $\frac{3}{16}$	0448-254
B529Q	1 $\frac{5}{8}$ "	2 $\frac{5}{8}$ "	1/4-1-1/4	0464-254



FOR VSM

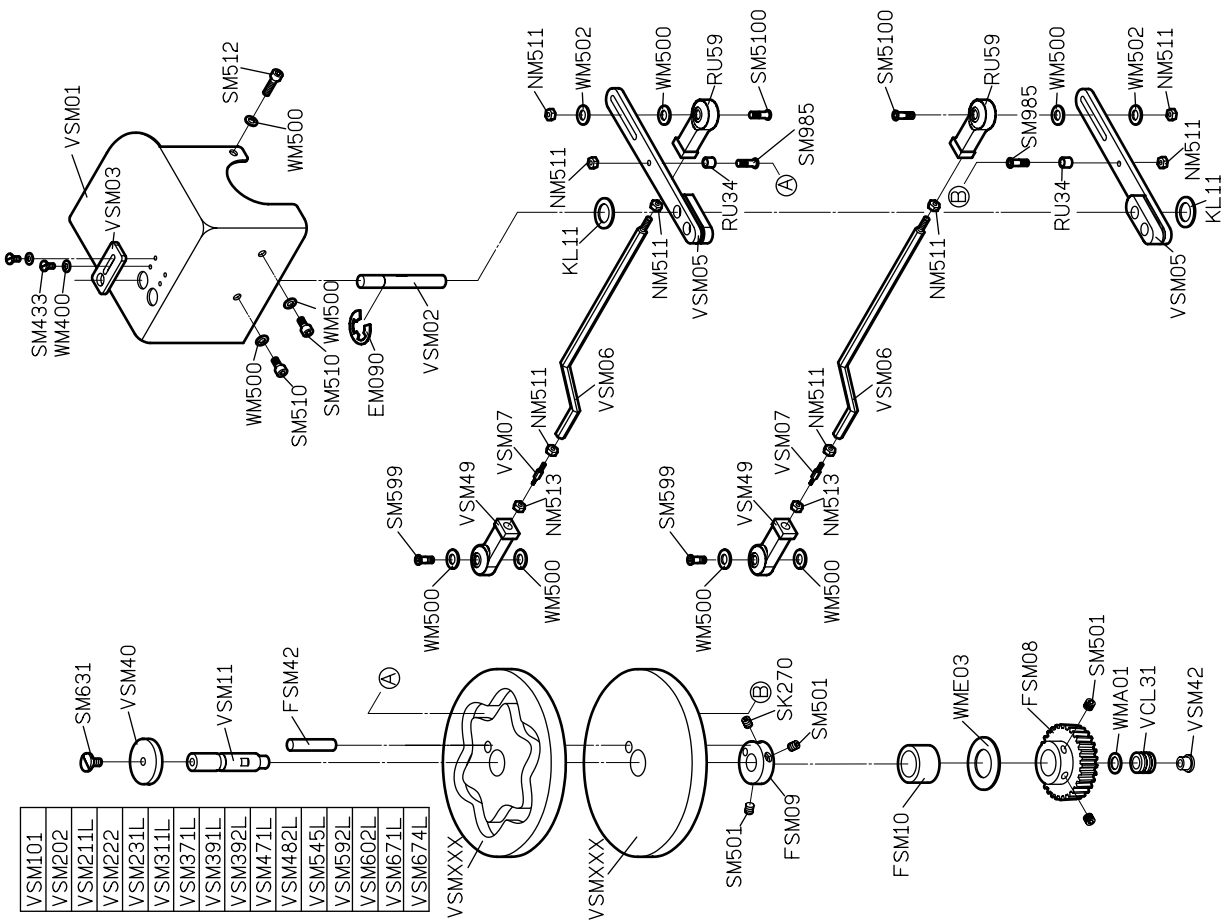


FOR VSM/VSQ



FOR VSM/VSQ

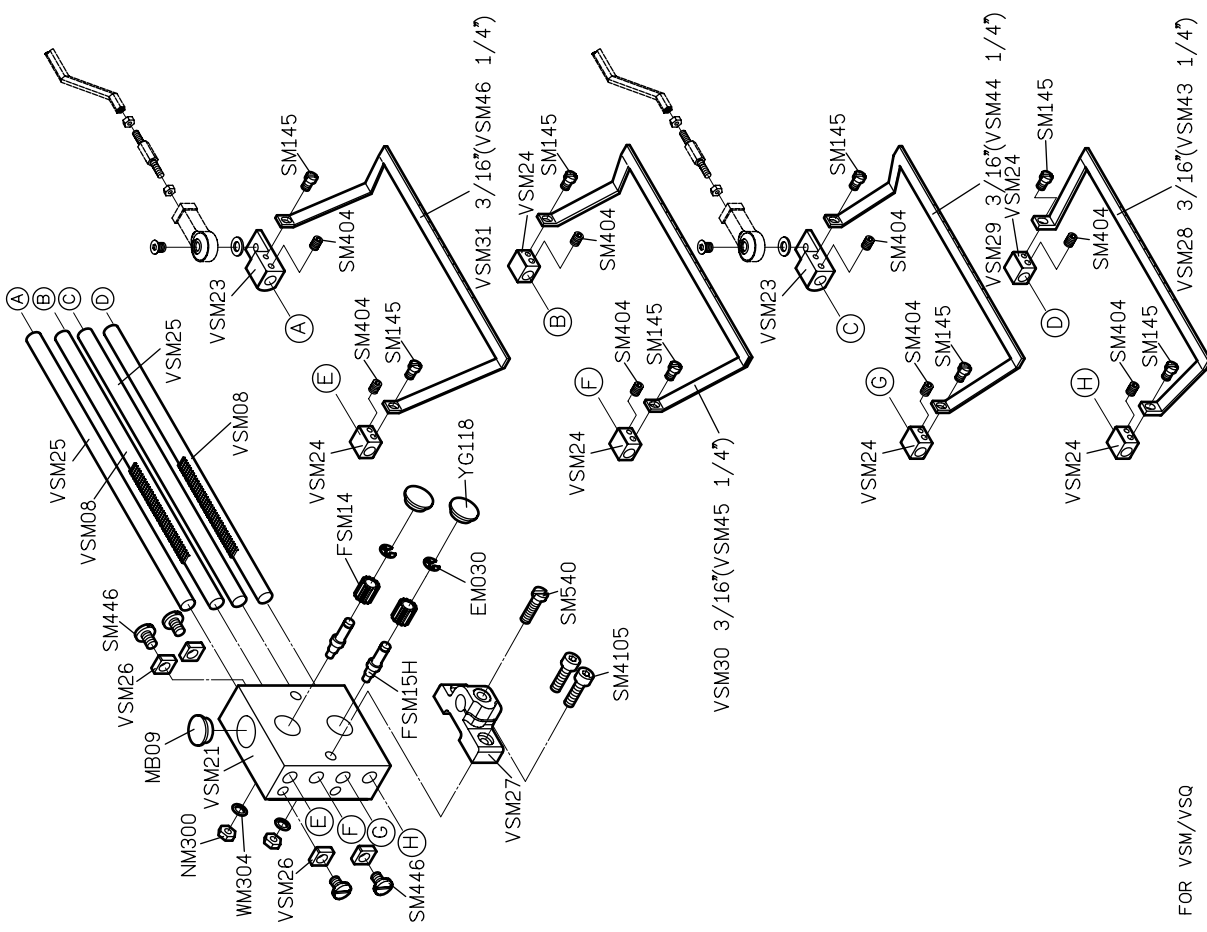
PARTS LIST FOR VSM/VSQ GROUP



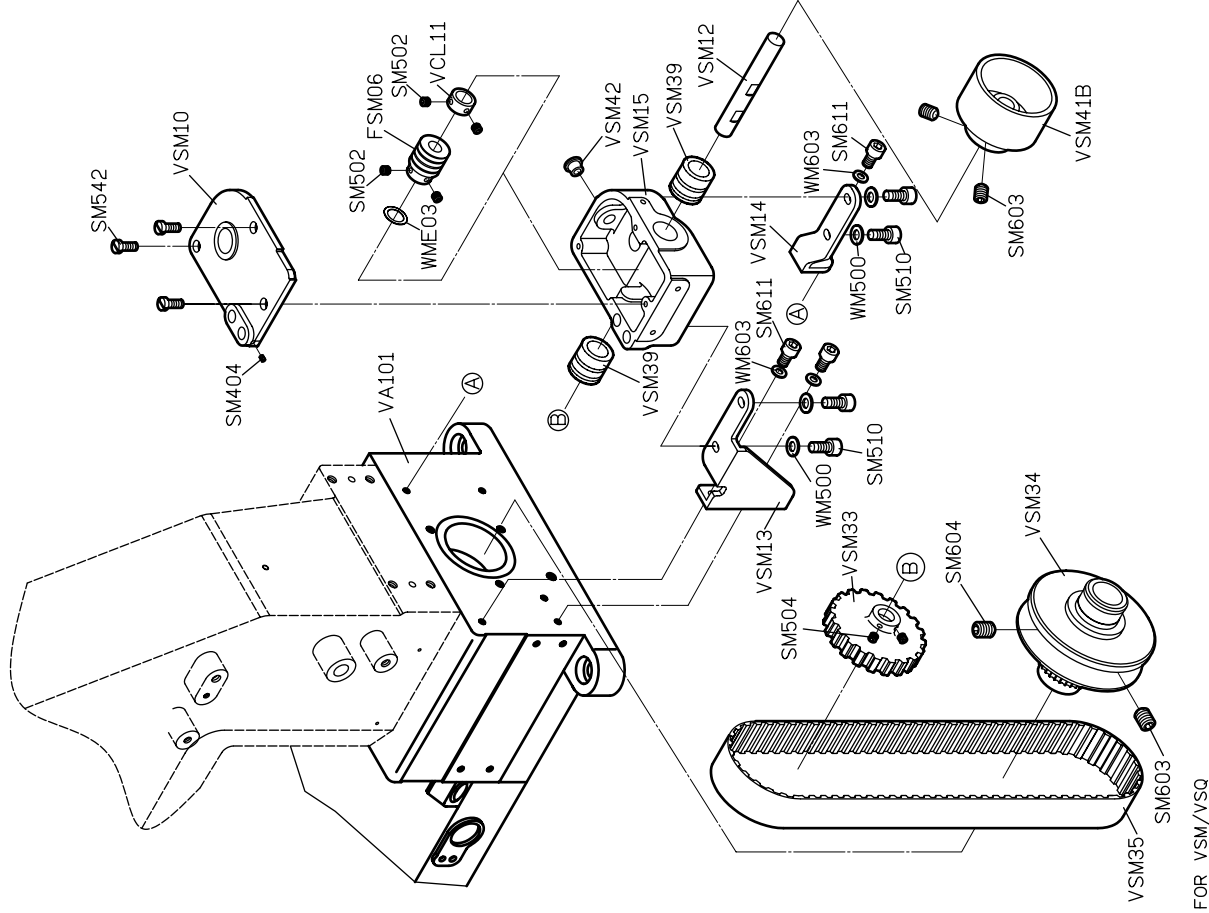
VSM101
VSM202
VSM211L
VSM222
VSM231L
VSM311L
VSM371L
VSM391L
VSM392L
VSM471L
VSM482L
VSM545L
VSM592L
VSM602L
VSM671L
VSM674L
VSMXXX
VSMXXX

FOR VSM/VSQ

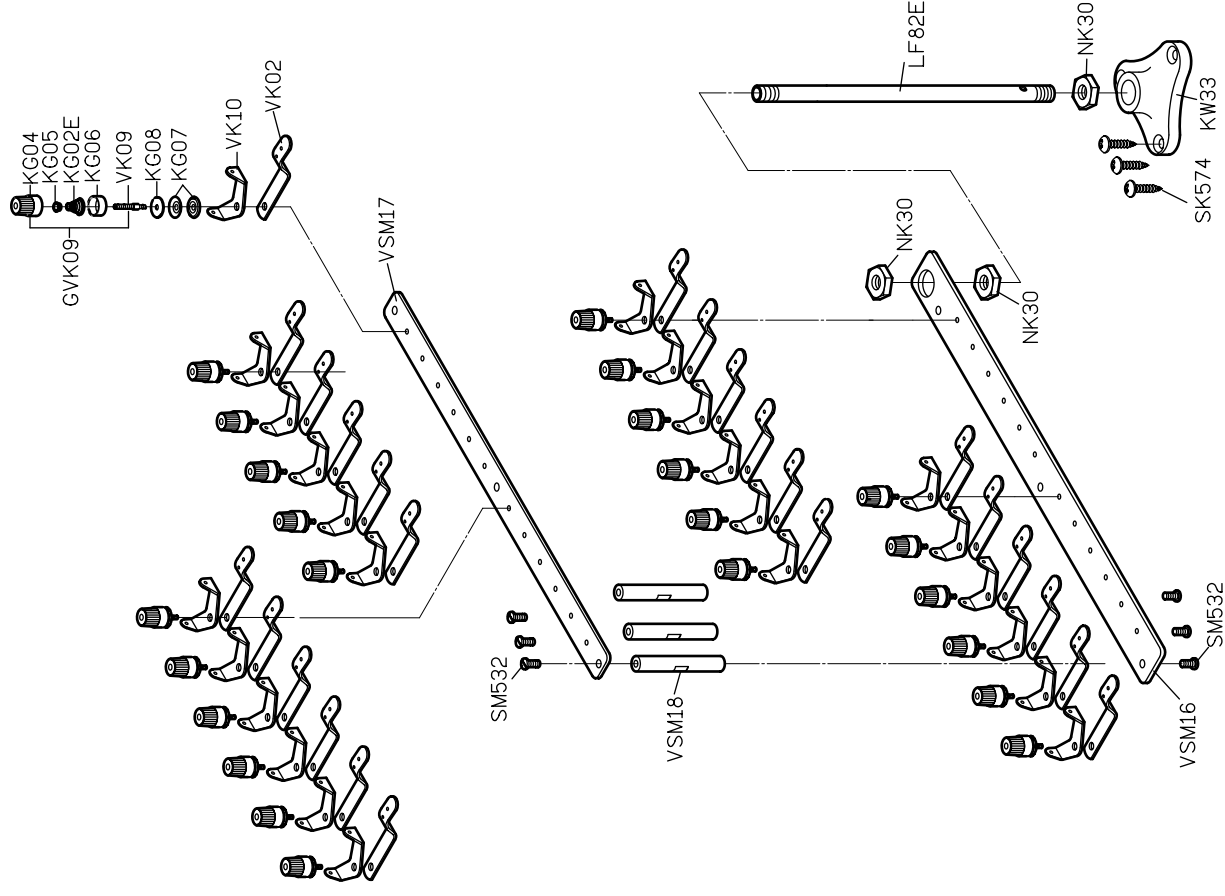
PARTS LIST FOR VSM/VSQ GROUP



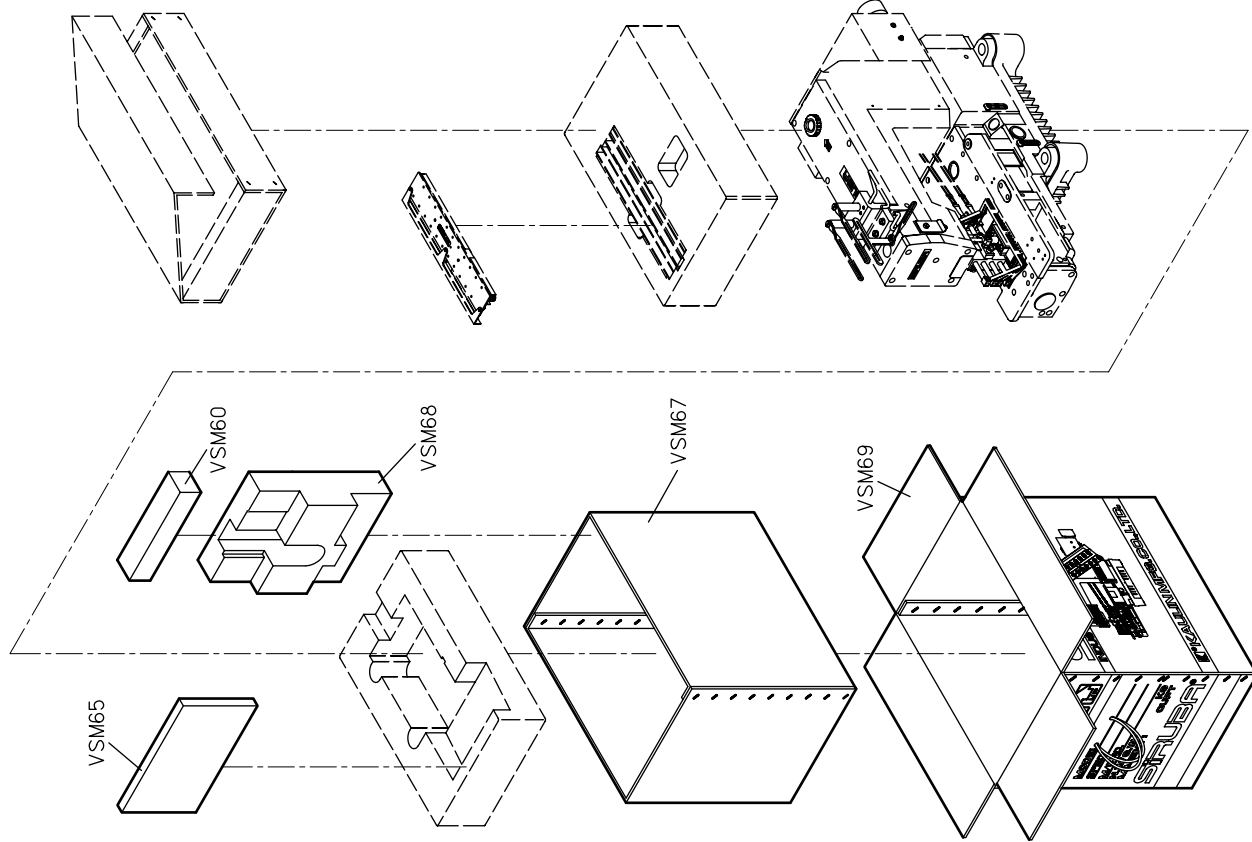
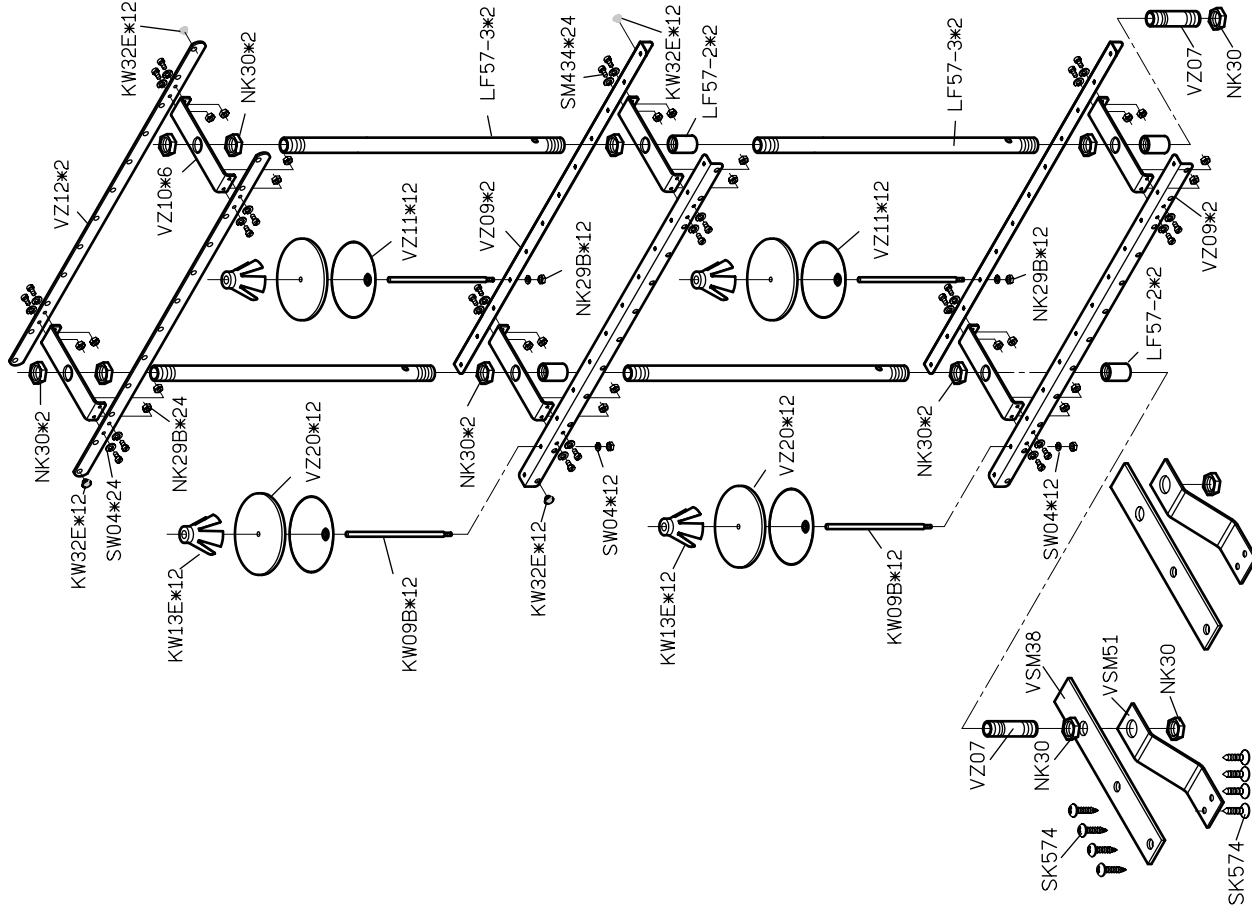
FOR VSM/VSQ

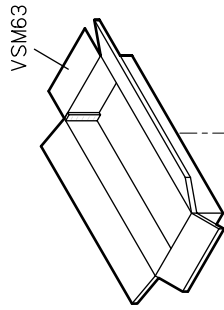


FOR VSM/VSQ

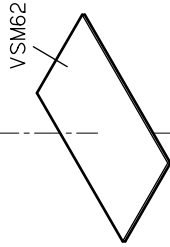


FOR VSM/VSQ

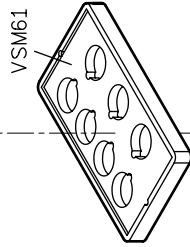




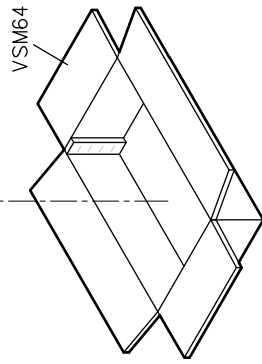
VSM63



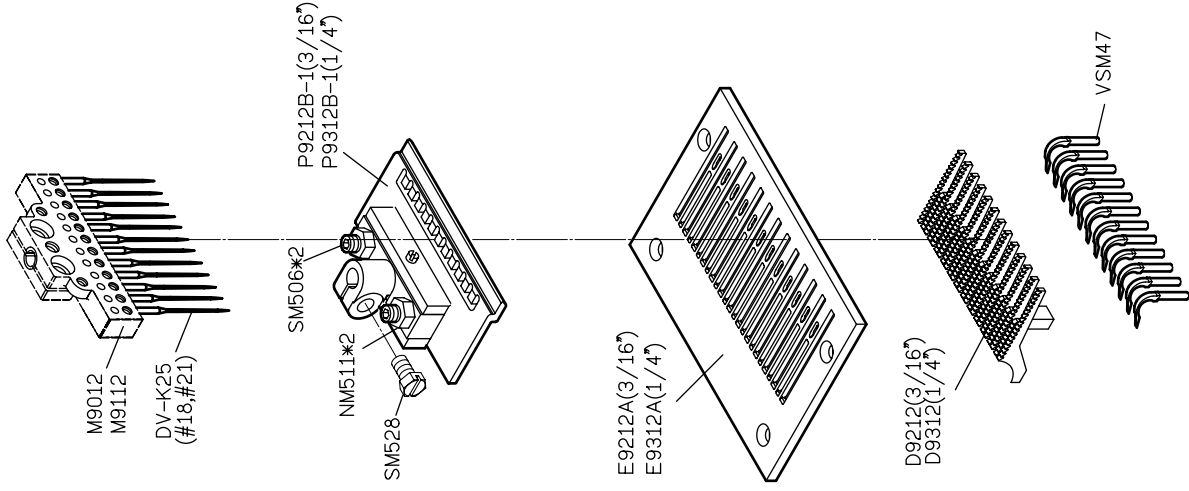
VSM62



VSM61



VSM64



M9012
M9112
DV-K25
(#18, #21)

SM506*2

NM511*2

SM528

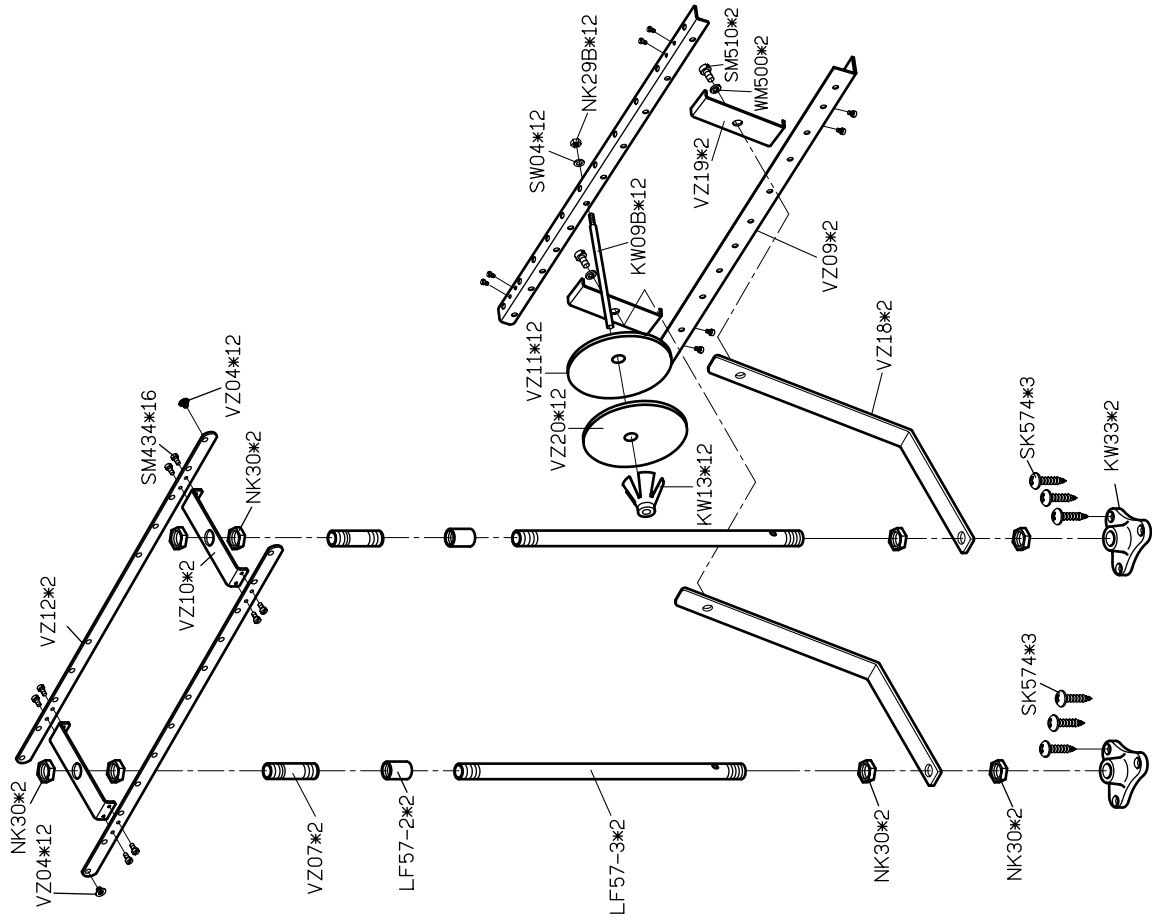
P9212B-1(3/16")
P9312B-1(1/4")

E9212A(3/16")
E9312A(1/4")

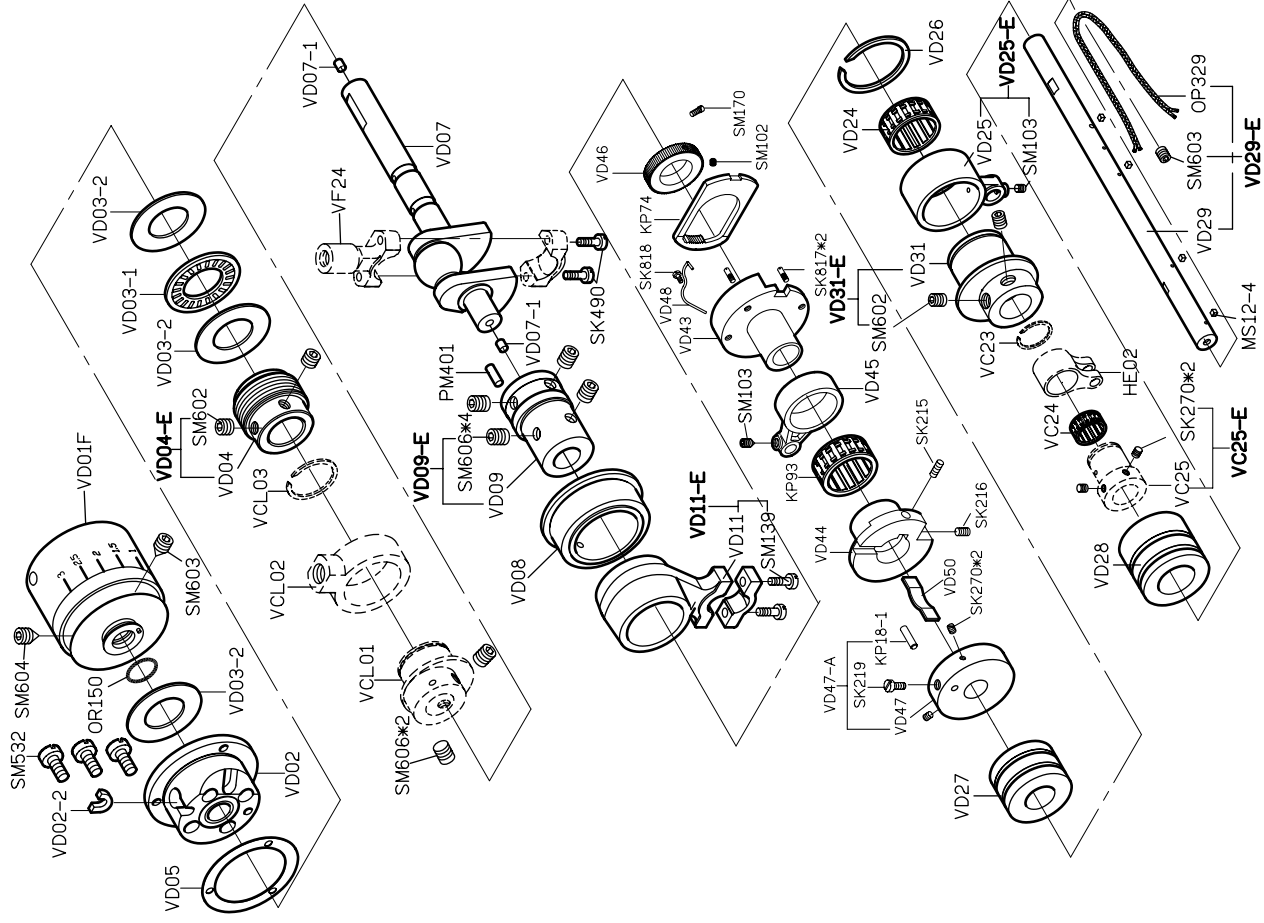
D9212(3/16")
D9312(1/4")

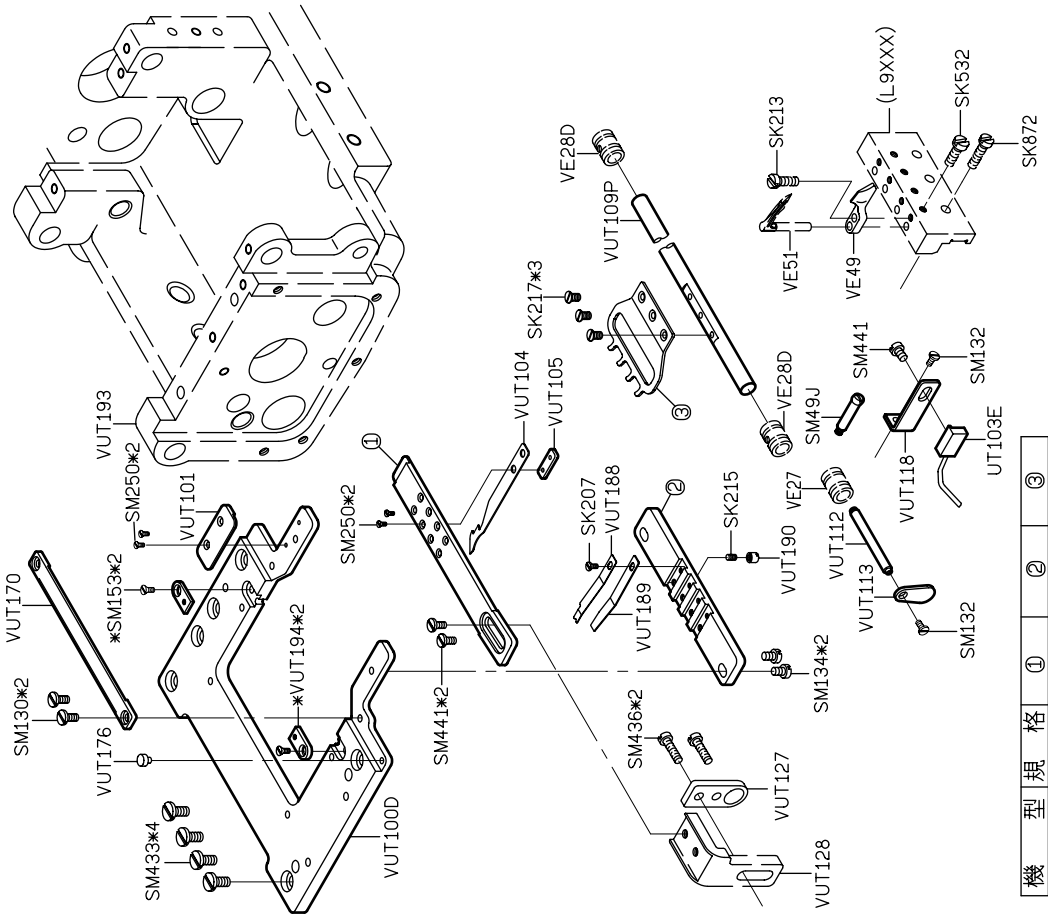
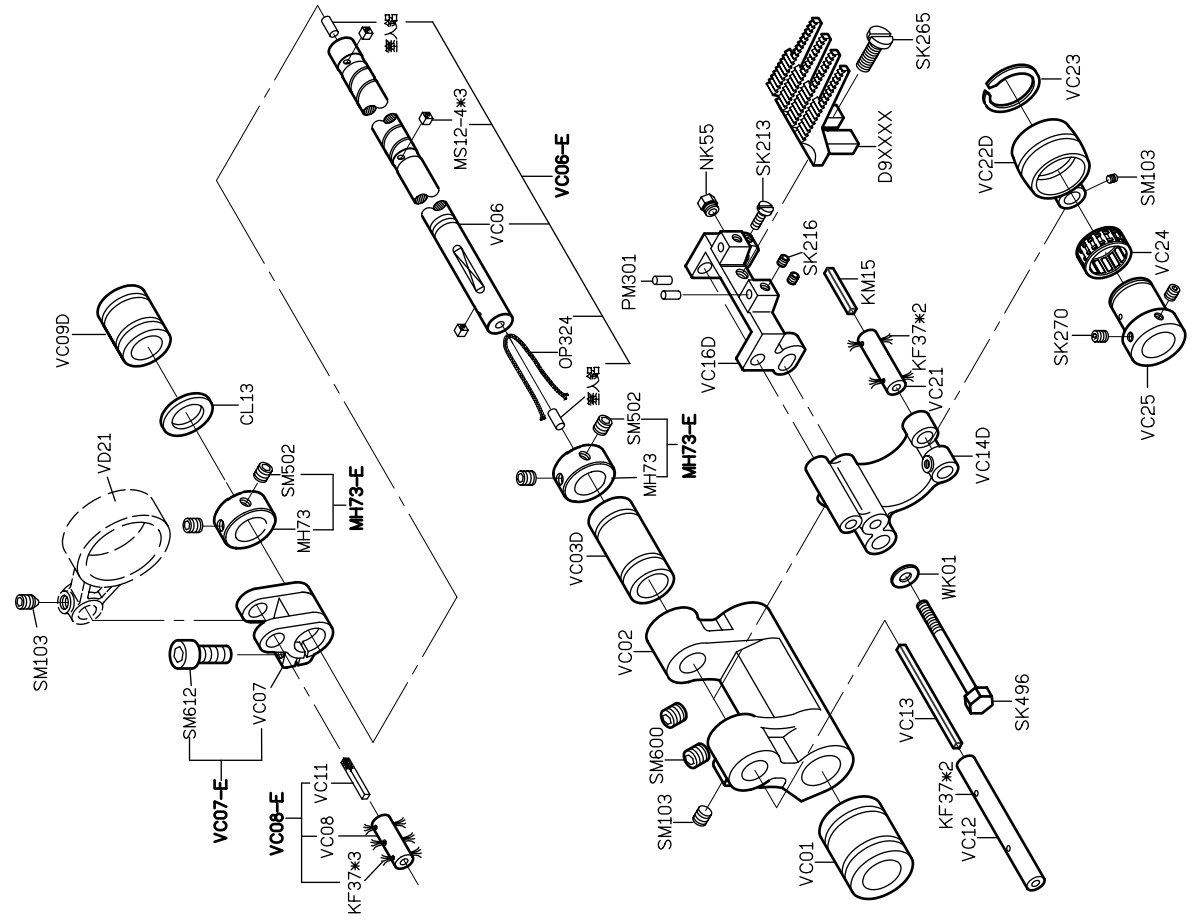
VSM47

PARTS LIST FOR VSQ GROUP



PARTS LIST FOR VUT GROUP



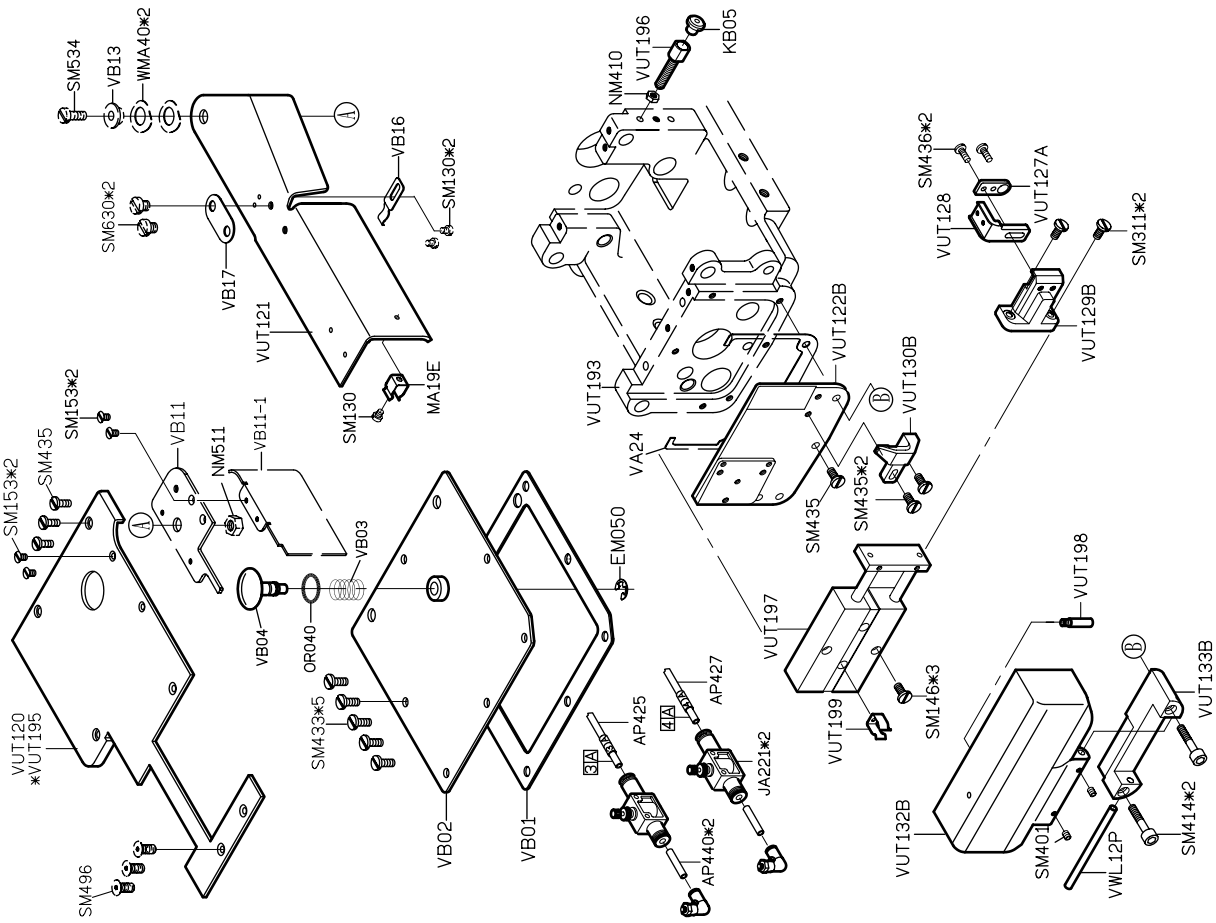


機 型	規 格	①	②	③
VC008-04	064	VUT184P	VUT187P	VUT108P
	085	VUT184Q	VUT187Q	VUT108Q
	095	VUT184R	VUT187R	VUT108R
VC008-12	106	VUT184S	VUT187S	VUT108S
	127	VUT184T	VUT187T	VUT108T
	050	VUT184U	VUT187U	VUT108U

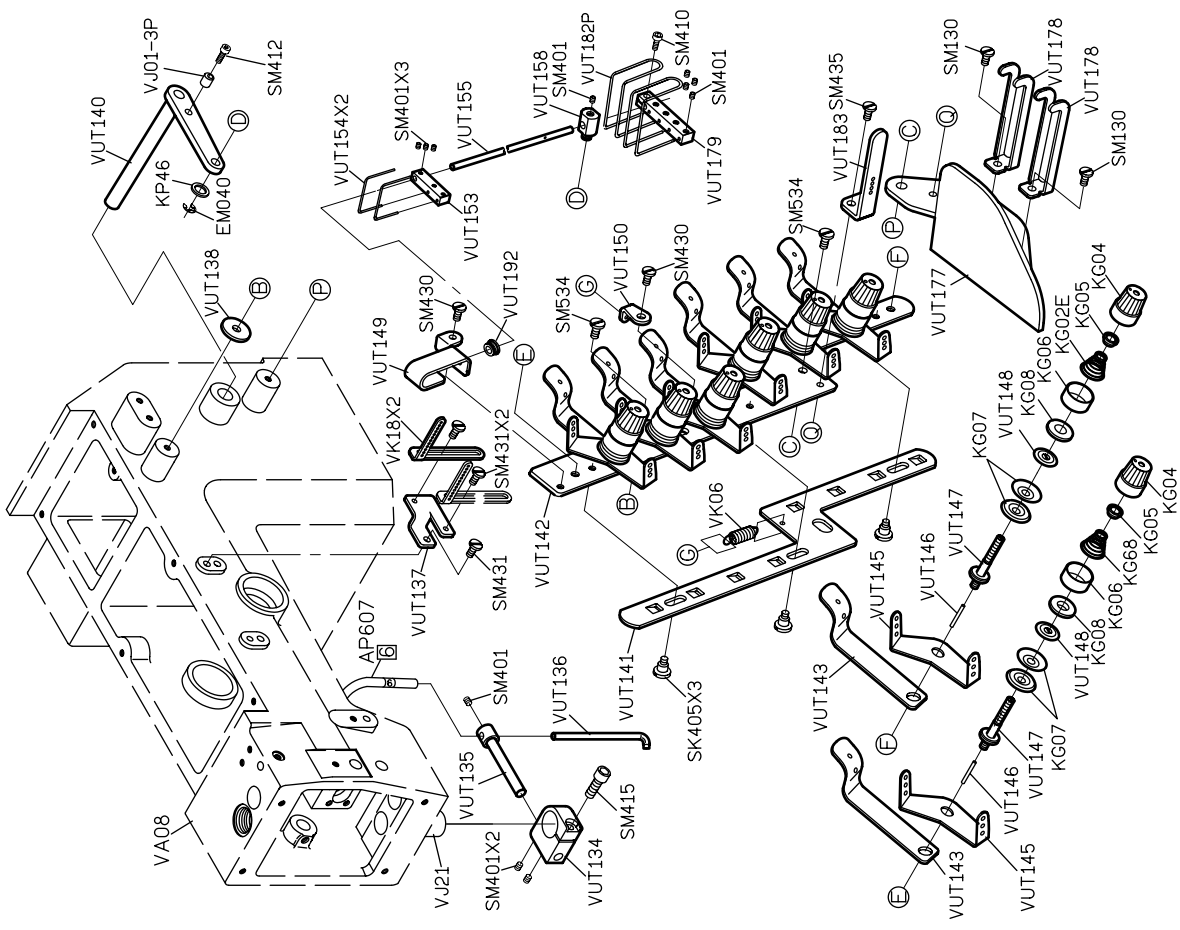
PARTS LIST FOR VUT GROUP

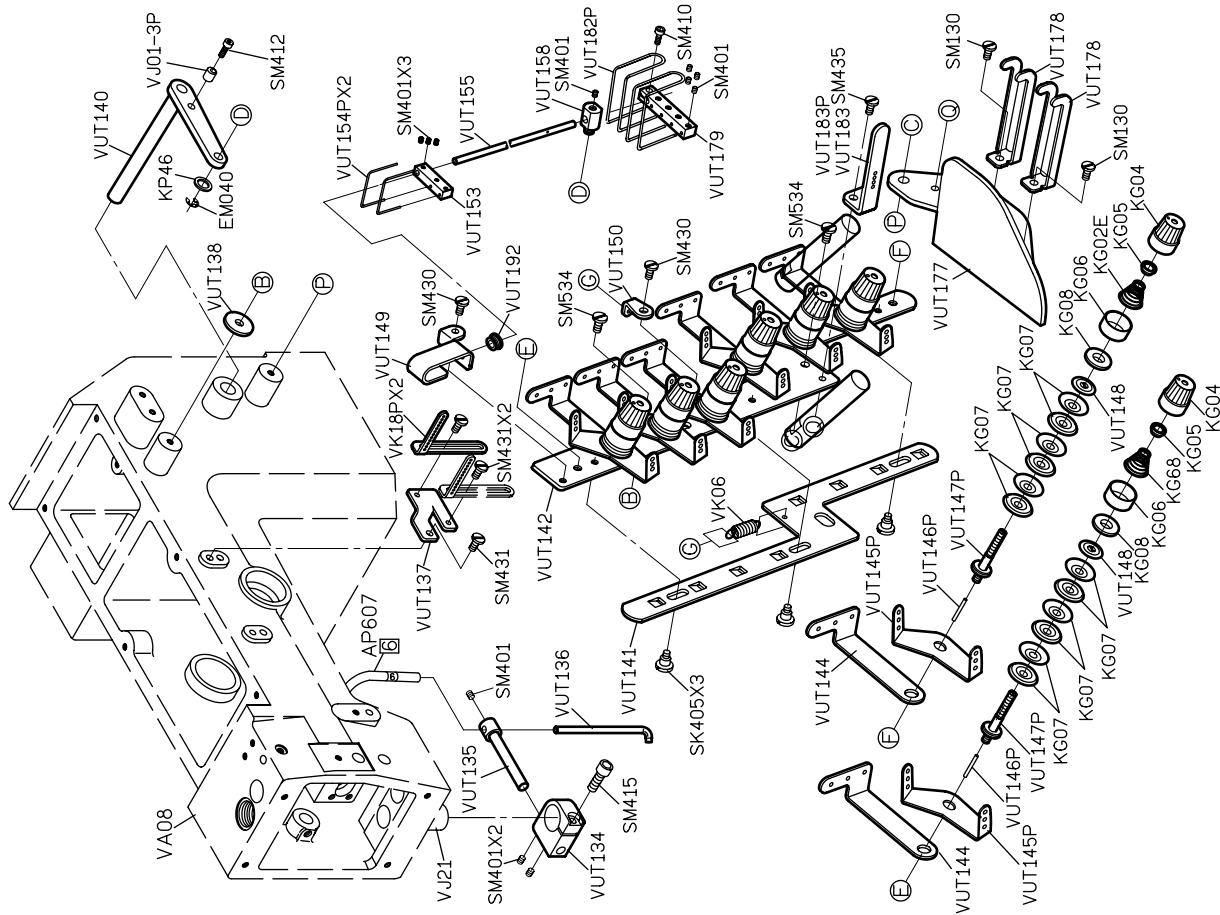
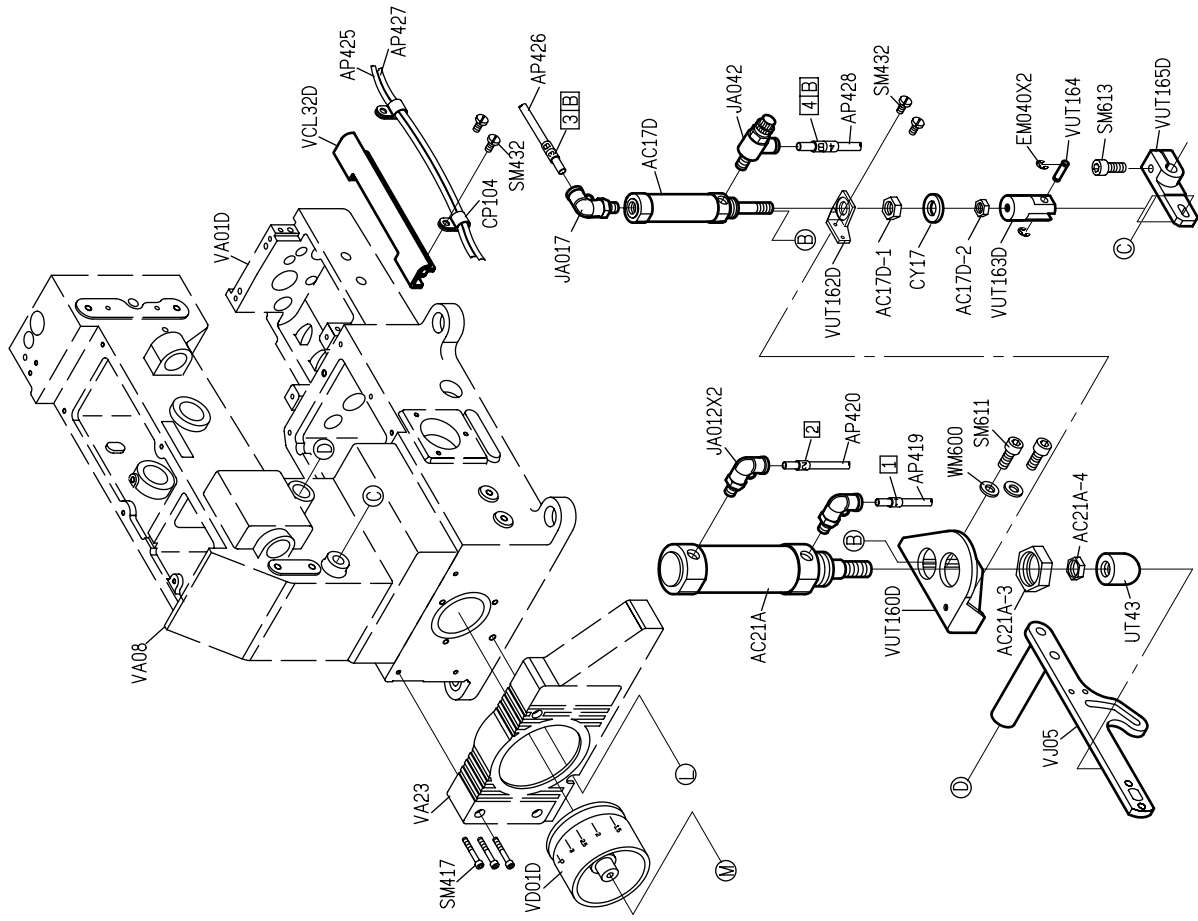
PARTS LIST FOR VUT GROUP

PARTS LIST FOR VUT GROUP



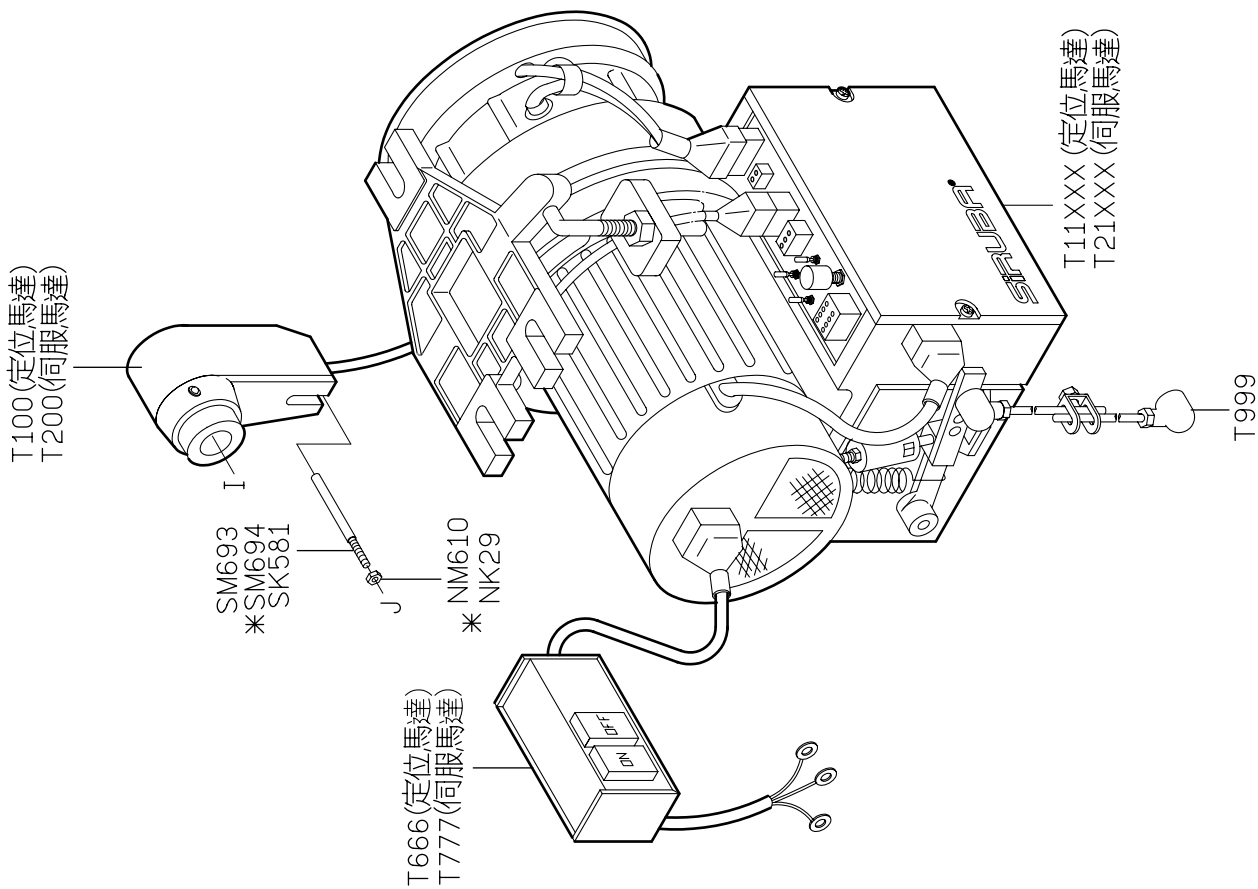
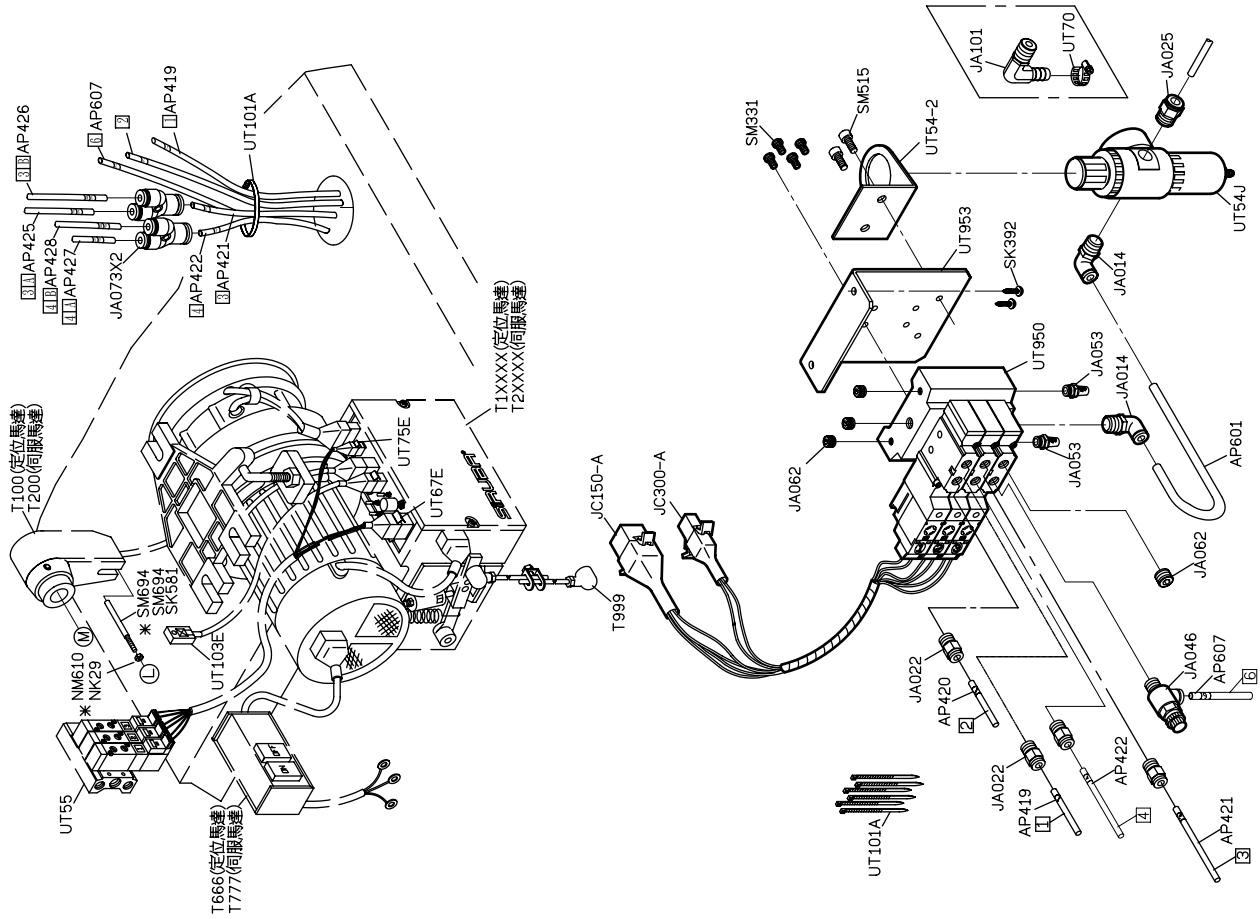
PARTS LIST FOR VUT GROUP

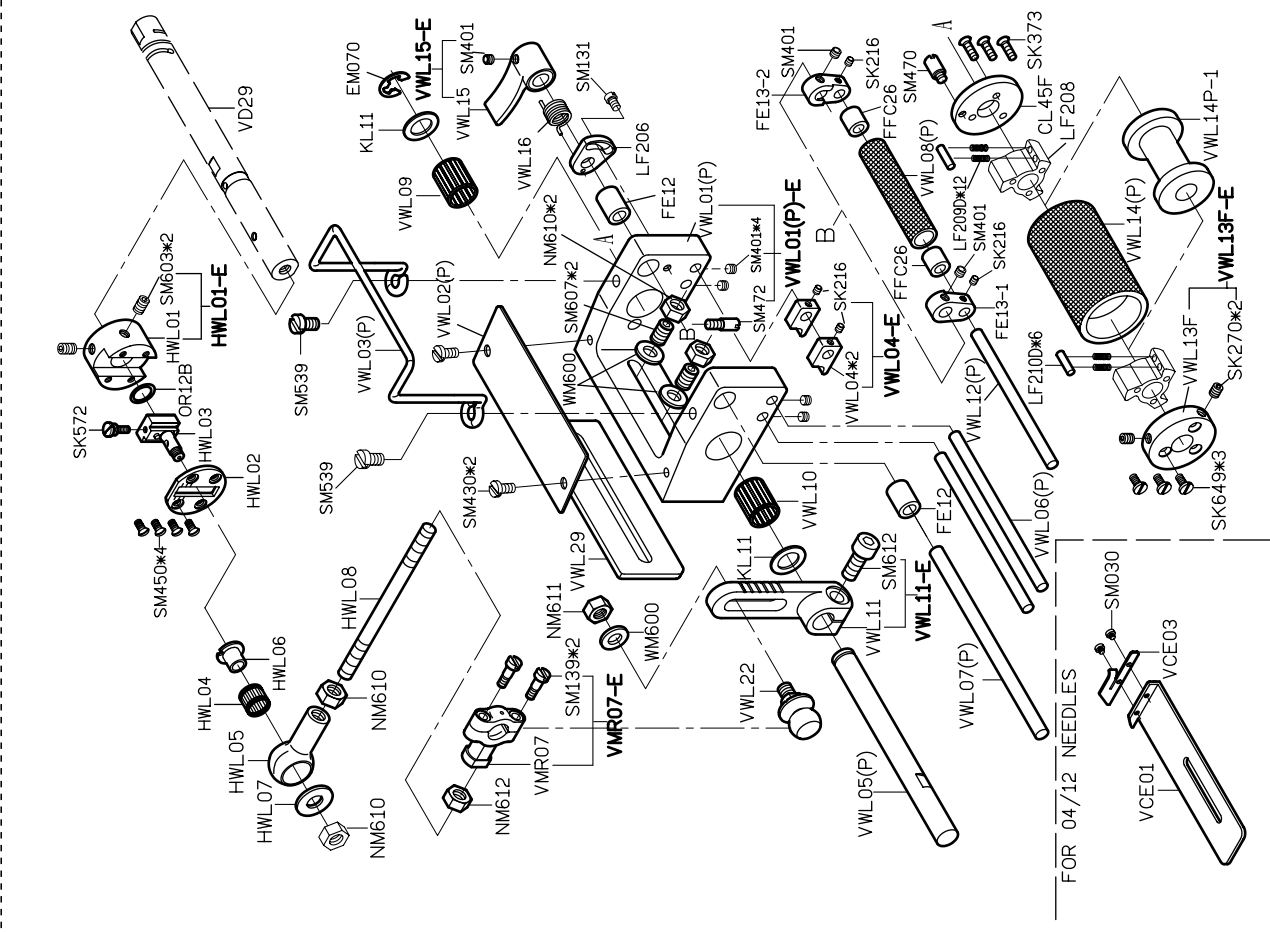
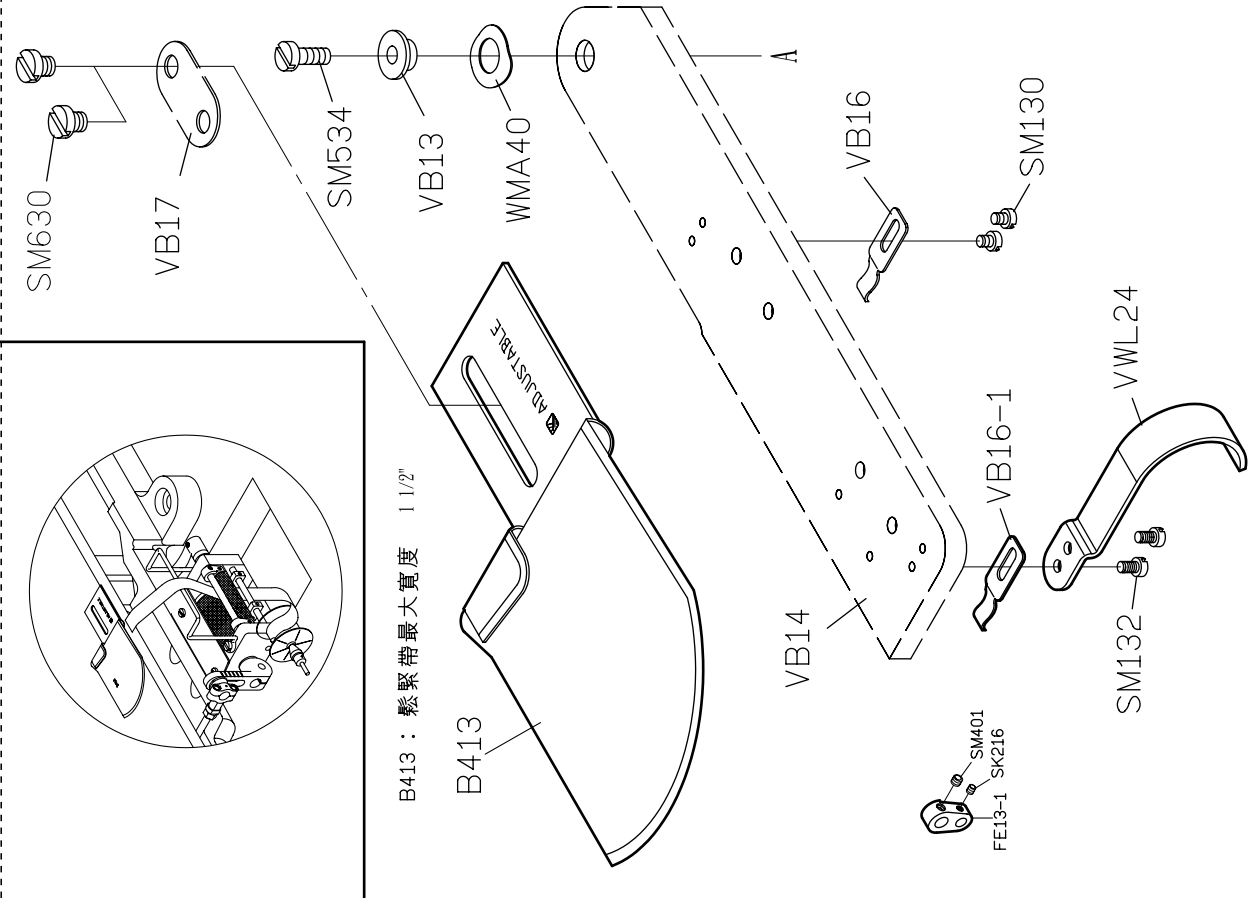


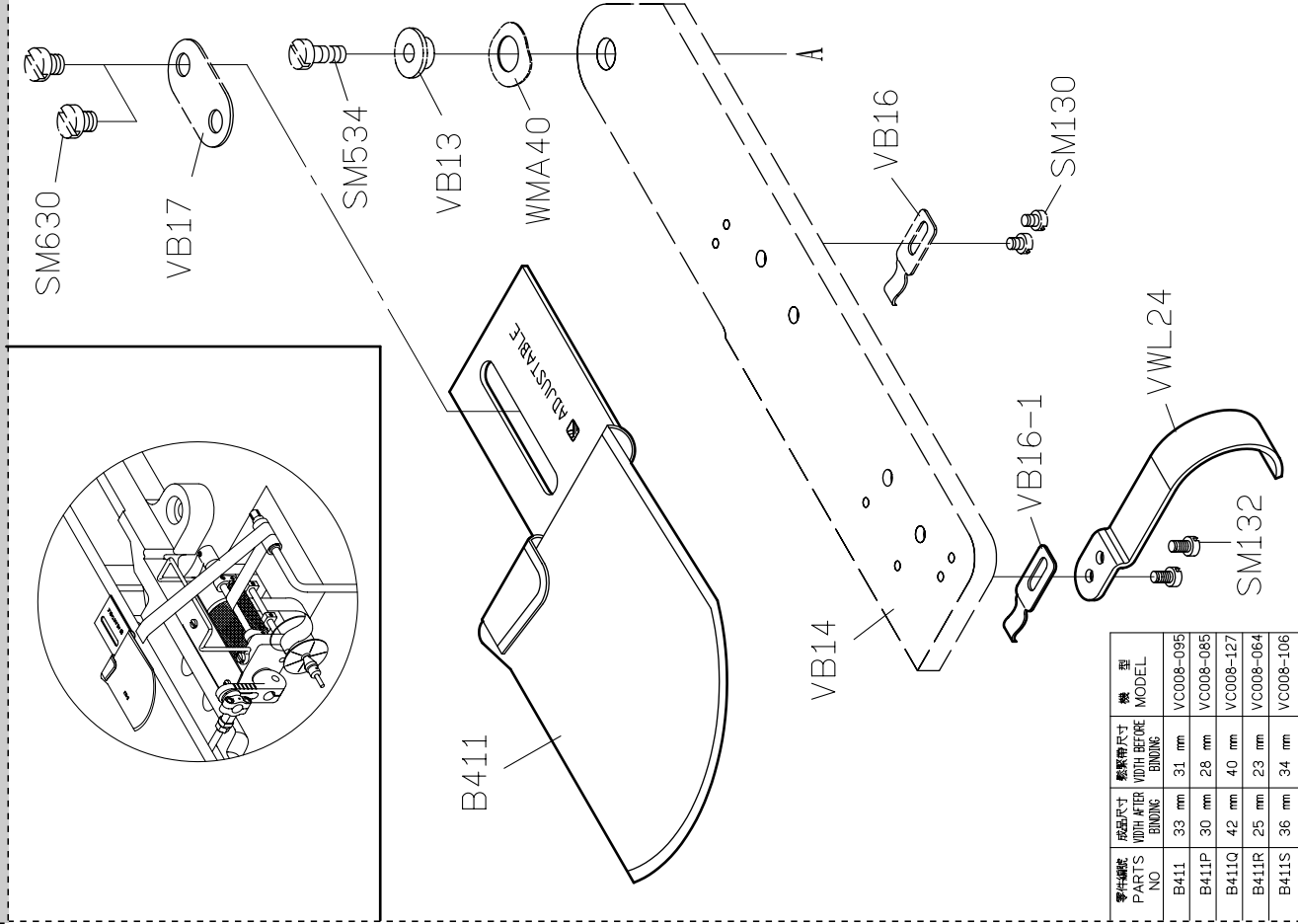


PARTS LIST FOR VUT GROUP

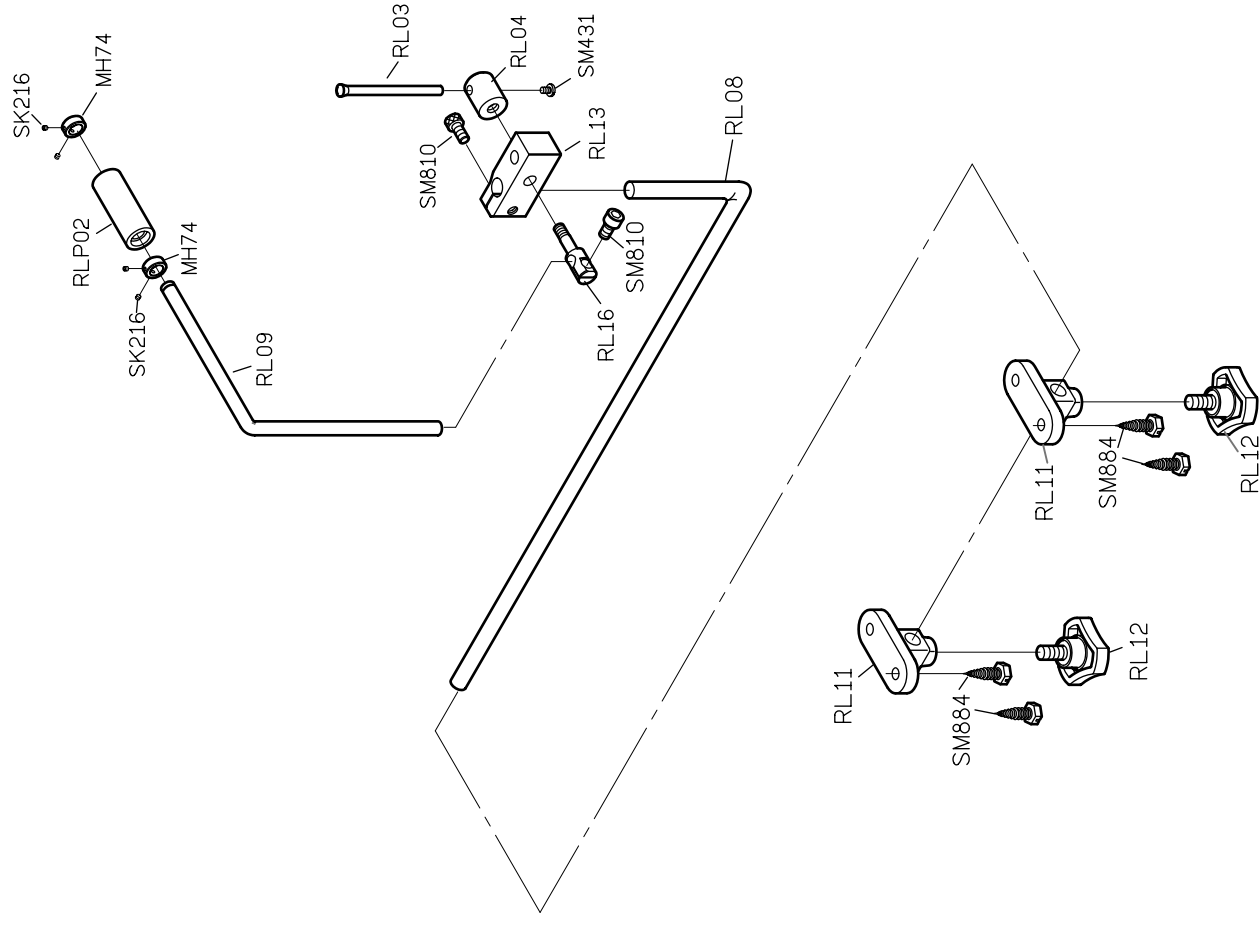
PARTS LIST FOR VUT GROUP







零件編號 PARTS NO.	成品尺寸 WIDTH AFTER BINDING	鬆緊帶尺寸 WIDTH BEFORE BINDING	機 型 MODEL
B411	33 mm	31 mm	VC008-095
B411P	30 mm	28 mm	VC008-085
B411Q	42 mm	40 mm	VC008-127
B411R	25 mm	23 mm	VC008-064
B411S	36 mm	34 mm	VC008-106





VC008

ATTACHMENT

高林股份有限公司 KAULIN MFG. CO., LTD.